



i500 inverters

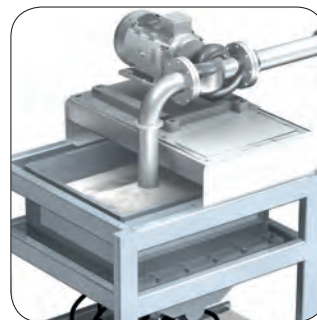
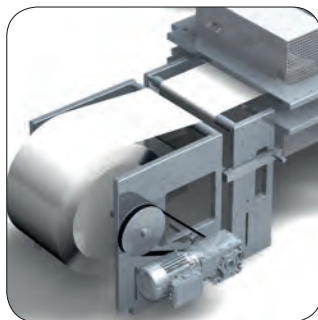
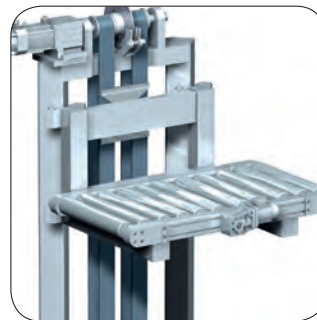
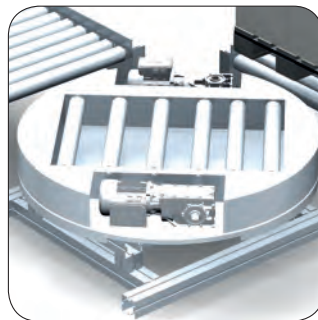
0.33 ... 175 hp (0.25 ... 132 kW)

Lenze makes many things easy for you.

With our motivated and committed approach, we work together with you to create the best possible solution and set your ideas in motion - whether you are looking to optimize an existing machine or develop a new one. We always strive to make things easy and seek perfection therein. This is anchored in our thinking, in our services, and in every detail of our products. It's as easy as that!

On principle, always perfect: the new i500

The i500 is ideal for numerous applications:
traveling drives, conveyor drives, shaper drives, pumps and fans, tool drives, hoist drives
and winding drives.



Less means more!

Focused on the essentials: the new i500

i500 is the new inverter series - a streamlined design, scalable functionality, and exceptional user-friendliness.

Less unnecessary elements

- High scalability in terms of the mains voltage range, rated power and modular structure
- Diagnostics via keypad, USB or WLAN

More cost savings

- Optimized solution for individual customer requirements
- Flexibility

Smaller size

- Compact size:
Up to 15 hp (11 kW) only 5.12 in (130 mm) deep and up to 3 hp (2.2 kW) only 2.36 in (60 mm) wide
- Side-by-side installation: can be mounted adjacent to each other

More space in the control cabinet

- Provides solutions in limited spaces
- Smaller control cabinets reduce costs

Less engineering expenditure

- Intuitively logical structure of parameters
- Easy controller integration
- Supports all current networks

More time for the essentials

- Saves time in engineering
- Reduction in potential error sources

Less installation expense

- Keyhole mounting
- Plug-in terminals up to 3 hp (2.2 kW)
- Out of the box operability. Simply connect, start, go!
- Plug-in memory module

More productivity

- Saves time during installation
- Fewer faults in use
- Lower costs in the event of service

Less energy consumption

- Fewer inverter losses thanks to the use of cutting-edge technologies
- Energy-efficient

More sustainability

- Best efficiency values, lowest energy costs
- Future-proof thanks to DIN EN 50598

Less downtime

- Robust single board design
- Entire device produced by Lenze

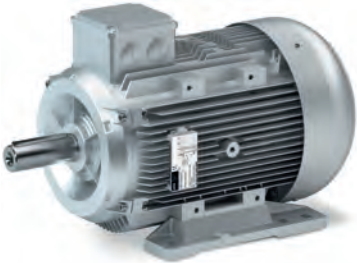
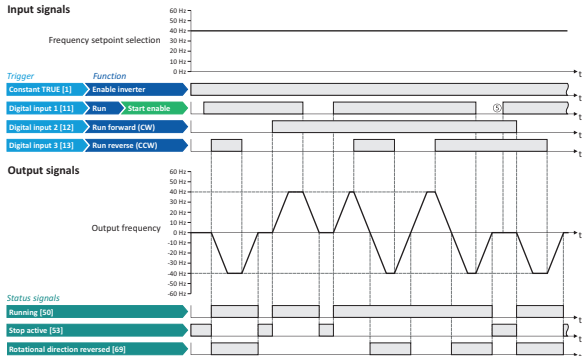

Greater reliability

- Lower quality assurance costs in manufacture
- Reduces operational guarantee costs



Functionality

i500 provides a high-quality frequency inverter that already conforms to future standard in accordance with the EN 50598-2 efficiency classes (IE). Overall, this provides a reliable and future-proof drive for a wide range of machine applications.

Adjustable motor controls for three-phase AC motors	
	<ul style="list-style-type: none"> • V/f characteristic control linear/quadratic (VFC plus) • Sensorless vector control (SLV) • Energy saving function (VFC Eco) • Servo control (SC-ASM) with feedback • Sensorless vector control for synchronous motors up to 30 hp (22 kW)
Motor functions	
	<ul style="list-style-type: none"> • Flying restart circuit • Slip compensation • Energy saving function (VFC Eco) • DC braking • Oscillation damping • Skip frequencies • Automatic identification of the motor data • Braking energy management • Holding brake control • Voltage add-function • Rational Energy Ride Through (backup operation in case of mains failure) • Speed feedback (HTL encoder) • Brake resistor control (brake chopper integrated) • DC-bus connection (480 V devices)
Application functions	
	<ul style="list-style-type: none"> • Process controller (PID) • Process controller - sleep mode and rinse function • Freely assignable favorite menu • Parameter change-over • S-shaped ramps for smooth acceleration • Motor potentiometer • Flexible I/O configuration • Access protection • Automatic restart • OEM parameter set • Sequence control

Monitoring

off	off	No supply voltage
■	■■■■■■■■■■	Safe torque off (STO) active
1 Hz	■■■■■■■■■■	Safe torque off (STO) active, warning active
	■■■■■■■■■■	Inverter disabled
■ ■ ■ ■ ■	■■■■■■■■■■	Inverter disabled, no DC-bus voltage
2 Hz	■■■■■■■■■■	Inverter disabled, warning active
	■■■■■■■■■■	Inverter disabled, error available
	■■■■■■■■■■	Inverter enabled and motor running
■■■■■■■■■■	■■■■■■■■■■	Inverter enabled and motor running, warning pending
	■■■■■■■■■■	Inverter enabled, quick stop as response to a fault active
Error message	Cause and remedy (W = warning, T = trouble, F = fault)	
.2382/.2383	Ixt fault/Ixt warning	
.3210/.3211	Overvoltage DC-bus/warning overvoltage DC-bus	
.3220/.3221	DC-bus voltage too low for switch-on	
.3222	DC-bus voltage too low for switch-on	
.4310	Motor overtemperature error	
.6280	Trigger/functions incorrectly connected. In flexible mode, the controller release or Run/Stop must be allocated to an I/O. Do not use start forward/backward and run forward/backward at the same time.	
.FF37	Automatic start disabled	

- Short circuit
- Earth fault
- Device overload monitoring (i*t)
- Motor overload monitoring (i²*t)
- Mains phase failure
- Stalling protection
- Motor current limit
- Maximum torque
- Ultimate motor current
- Motor speed monitoring
- Load loss detection
- Motor temperature monitoring (PTC and thermal contact)

Diagnostics



- Error history buffer
- Logbook
- LED status displays
- Keypad language selection German, English
- PC tool (EASY Starter)
- Smartphone app (iOS and Android)



App Store



Google Play

Safety functions (optional)



- STO (Safe torque off) with PL “e” and SIL 3

Network (optional)

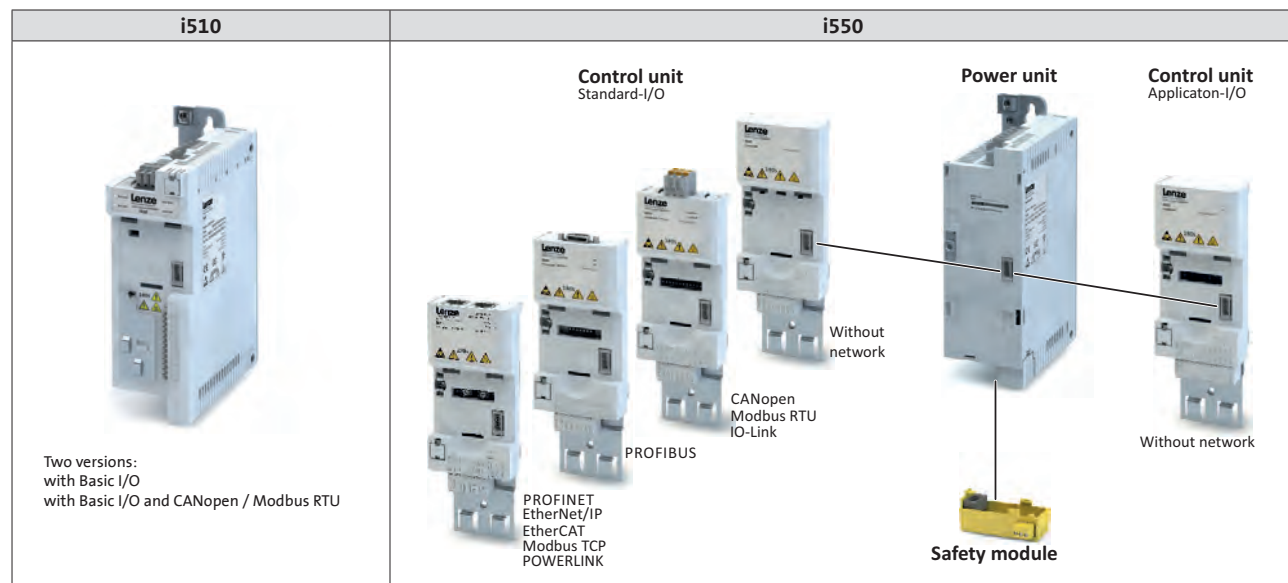


- CANopen
- Modbus RTU
- Modbus TCP
- IO-Link
- EtherCAT
- EtherNet/IP
- PROFIBUS
- PROFINET
- POWERLINK

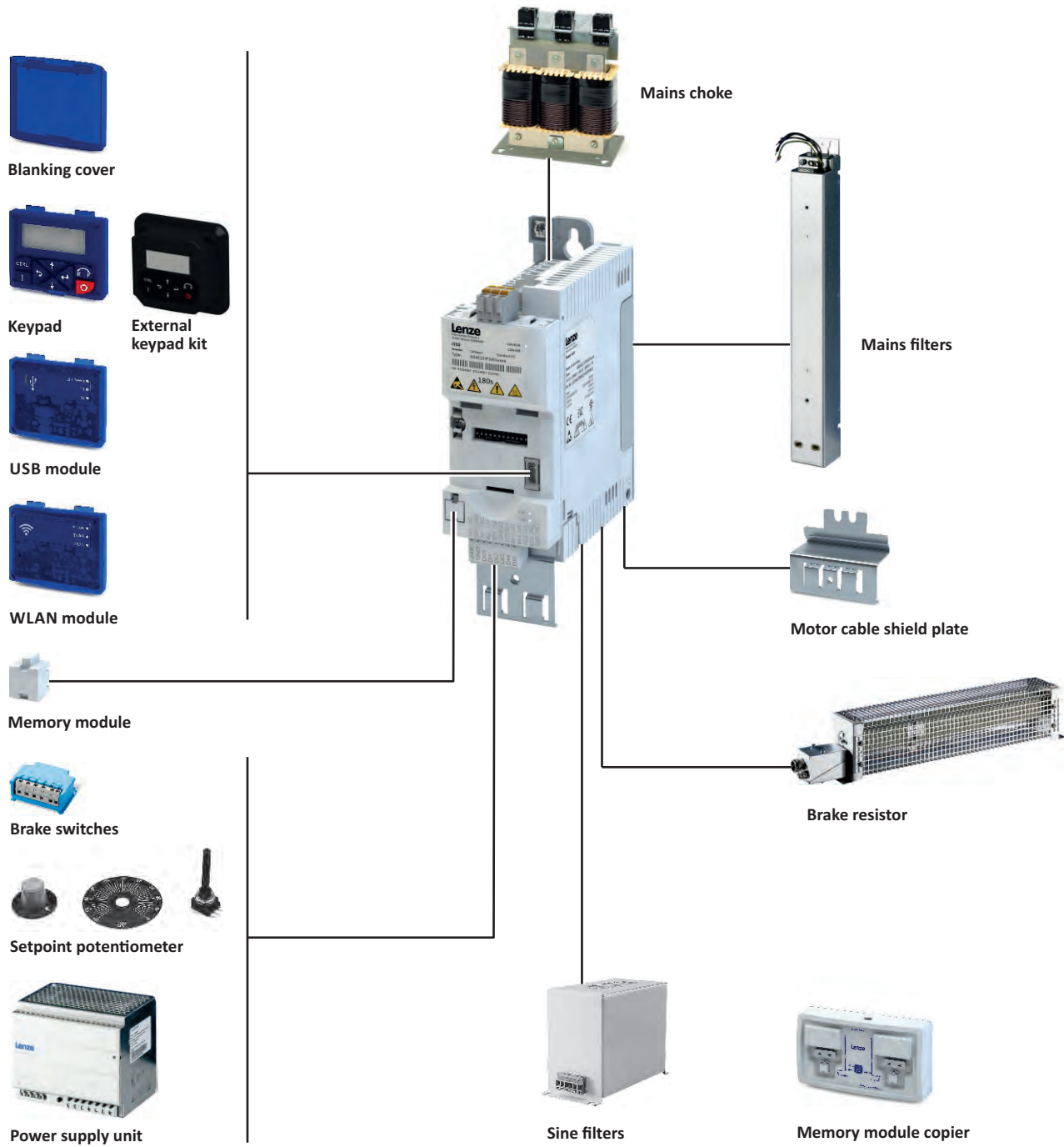
Scalability

Easily scaled, the right i500 can be customized to suit the application. Here, “scaled” refers to two optimized products: the i510 as the basic design with predefined modes, and the high-capacity modular i550 for a variety of applications. Which is the right one for you? See the following table:

	i510	i550
Type of construction and ordering option	Monolithic construction	Modular type of construction
Power range	0.33 hp ... 20 hp (0.25 kW ... 15 kW)	0.33 hp ... 175 hp (0.25 kW ... 132 kW)
Scope	<ul style="list-style-type: none"> • Memory module • IT network suitability • Integrated RFI filter (apart from i510-Cxxx/230-2) • Can be directly connected • Relay (type C) 	<ul style="list-style-type: none"> • Memory module • IT network suitability • Integrated RFI filter (apart from i550-Cxxx/120-1, i550-Cxxx/230-2, i550-Cxxx/230-3) • Can be directly connected • Relay (type C) Brake chopper DC-bus operation is possible • Incremental HTL encoder up to 100 kHz • Temperature monitoring • Functional safety: STO
I/O extension	<ul style="list-style-type: none"> • Spring terminal • Fixed terminals <ul style="list-style-type: none"> • Basic I/O <ul style="list-style-type: none"> - 5 digital inputs, 1 digital output - 2 analog inputs, 1 analog output 	<ul style="list-style-type: none"> • Plug-in spring terminal • External 24 V supply • Choice of negative or positive logic (PNP/NPN) • Standard I/O <ul style="list-style-type: none"> - 5 digital inputs, 1 digital output - 2 analog inputs, 1 analog output or • Application I/O <ul style="list-style-type: none"> - 7 digital inputs, 2 digital outputs - 2 analog inputs, 2 analog outputs
Fieldbus network – optional	<ul style="list-style-type: none"> • CANopen • Modbus RTU 	<ul style="list-style-type: none"> • CANopen • Modbus RTU • Modbus TCP • IO-Link • EtherCAT • EtherNet/IP • PROFIBUS • PROFINET • POWERLINK
Motor controls	<ul style="list-style-type: none"> • V/f characteristic control (VFC open loop, linear, quadratic or VFC Eco) • Sensorless vector control (SLVC) • Sensorless control (SL-PSM) 	<ul style="list-style-type: none"> • V/f characteristic control (VFC open loop, linear, quadratic or VFC Eco) • V/f characteristic control (VFC closed loop) with feedback • Sensorless vector control (SLVC) • Sensorless control (SL-PSM) • Servo control (SC-ASM) with feedback up to 30 hp (22 kW)



The scalable inverter is completed by an accessory kit. Simply select all the necessary components oriented to your application.



Technical data

Inverter i510; connection to 230 V mains

Conformities	CE	2014/35/EU, 2014/30/EU
	EAC	TR TC 004/2011, TP TC 020/2011
	RoHS 2	2011/65/EU
Approvals	cUL _{us}	UL 61800-5-1, CSA 22.2 No. 274
Energy efficiency	Class IE2	EN 50598-2
Protection type	IP20	EN 60529 (except in wire range of terminals)
		NEMA 250 (type 1 protection against accidental contact only)
	Open type	Only in UL-approved systems
Power systems	TT, TN	Voltage to earth: max. 300 V
	IT	Apply the measures described for IT systems!
Mains switching		3 x within one minute possible
Operation with residual current circuit breaker		Up to 3 hp (2.2 kW) 30mA
Cable length for EMC	Category C2	65.6 ft. (20 m) (≤0.5 hp (0.37 kW) max. 49.2 ft. (15 m))
	Category C3	≥ 114.8 ft. (35 m) (≤0.5 hp (0.37 kW) max. 49.2 ft. (15 m))
Switching frequencies		2, 4, 8, 16 kHz, The rated output currents listed below apply at 113 °F (45 °C) and switching frequencies of 2 and 4 kHz, and at 104 °F (40 °C) and switching frequencies of 8 and 16 kHz
Ambient temperature		131 °F (55 °C) (derating of 2.5 %/1.8 °F over 113 °F (45 °C))
Max. output frequency		0 Hz ... 599 Hz
Overload capacity		200 % for 3s; 150 % for 60s

	Rated power	Mains voltage range	Rated output current	Weight	Dimensions (h x w x d)
	hp (kW)	V	A	lb (kg)	in (mm)
1-phase inverter with integrated RFI filter					
i510-C0.25/230-1	0.33 (0.25)	1/N/PE AC 170 V ... 264 V 45 Hz ... 65 Hz	1.7	1.7 (0.75)	6.1 x 2.36 x 5.12 (155 x 60 x 130)
i510-C0.37/230-1	0.5 (0.37)		2.4	1.7 (0.75)	6.1 x 2.36 x 5.12 (155 x 60 x 130)
i510-C0.55/230-1	0.75 (0.55)		3.2	2.1 (0.95)	7.09 x 2.36 x 5.12 (180 x 60 x 130)
i510-C0.75/230-1	1 (0.75)		4.2	2.1 (0.95)	7.09 x 2.36 x 5.12 (180 x 60 x 130)
i510-C1.1/230-1	1.5 (1.1)		6	3 (1.35)	9.84 x 2.36 x 5.12 (250 x 60 x 130)
i510-C1.5/230-1	2 (1.5)		7	3 (1.35)	9.84 x 2.36 x 5.12 (250 x 60 x 130)
i510-C2.2/230-1	3 (2.2)		9.6	3 (1.35)	9.84 x 2.36 x 5.12 (250 x 60 x 130)
1/3-phase inverter without integrated RFI filter					
i510-C0.25/230-2	0.33 (0.25)	1/N/PE AC or 3/PE AC 170 V ... 264 V 45 Hz ... 65 Hz	1.7	1.7 (0.75)	6.1 x 2.36 x 5.12 (155 x 60 x 130)
i510-C0.37/230-2	0.5 (0.37)		2.4	1.7 (0.75)	6.1 x 2.36 x 5.12 (155 x 60 x 130)
i510-C0.55/230-2	0.75 (0.55)		3.2	2.1 (0.95)	7.09 x 2.36 x 5.12 (180 x 60 x 130)
i510-C0.75/230-2	1 (0.75)		4.2	2.1 (0.95)	7.09 x 2.36 x 5.12 (180 x 60 x 130)
i510-C1.1/230-2	1.5 (1.1)		6	3 (1.35)	9.84 x 2.36 x 5.12 (250 x 60 x 130)
i510-C1.5/230-2	2 (1.5)		7	3 (1.35)	9.84 x 2.36 x 5.12 (250 x 60 x 130)
i510-C2.2/230-2	3 (2.2)		9.6	3 (1.35)	9.84 x 2.36 x 5.12 (250 x 60 x 130)
3-phase inverter without integrated RFI filter					
i510-C4.0/230-3	5 (4)	3/PE AC 170 V ... 264 V 45 Hz ... 65 Hz	16.5	4.6 (2.1)	9.84 x 3.54 x 5.12 (250 x 90 x 130)
i510-C5.5/230-3	7.5 (5.5)		23	4.6 (2.1)	9.84 x 3.54 x 5.12 (250 x 90 x 130)

Inverter i510; connection to 480 V mains

Conformities	CE	2014/35/EU, 2014/30/EU
	EAC	TR TC 004/2011, TP TC 020/2011
	RoHS 2	2011/65/EU
Approvals	cUL _{us}	UL 61800-5-1, CSA 22.2 No. 274
Energy efficiency	Class IE2	EN 50598-2
Protection type	IP20	EN 60529 (except in wire range of terminals) NEMA 250 (type 1 protection against accidental contact only)
	Open type	Only in UL-approved systems
Power systems	TT, TN	Voltage to earth: max. 300 V
	IT	Apply the measures described for IT systems!
Mains switching		3 x within one minute possible
Operation with residual current circuit breaker		Up to 3 hp (2.2 kW) 30mA
Cable length for EMC	Category C2	65.6 ft. (20 m) (≤0.5 hp (0.37 kW) max. 49.2 ft. (15 m))
	Category C3	≥ 114.8 ft. (35 m) (≤0.5 hp (0.37 kW) max. 49.2 ft. (15 m))
Switching frequencies		2, 4, 8, 16 kHz, The rated output currents listed below apply at 113 °F (45 °C) and switching frequencies of 2 and 4 kHz, and at 104 °F (40 °C) and switching frequencies of 8 and 16 kHz
Ambient temperature		131 °F (55 °C) (derating of 2.5 %/1.8 °F over 113 °F (45 °C))
Max. output frequency		0 Hz ... 599 Hz
Overload capacity		200 % for 3s; 150 % for 60s

	Rated power	Mains voltage range	Rated output current	Weight	Dimensions (h x w x d)
	hp (kW)	V	A	lb (kg)	in (mm)
3-phase inverter with integrated RFI filter					
i510-C0.37/400-3	0.5 (0.37)	3/PE AC 340 V ... 528 V 45 Hz ... 65 Hz	1.3	1.7 (0.75)	6.1 x 2.36 x 5.12 (155 x 60 x 130)
i510-C0.55/400-3	0.75 (0.55)		1.8	2.1 (0.95)	7.09 x 2.36 x 5.12 (180 x 60 x 130)
i510-C0.75/400-3	1 (0.75)		2.4	2.1 (0.95)	7.09 x 2.36 x 5.12 (180 x 60 x 130)
i510-C1.1/400-3	1.5 (1.1)		3.2	3 (1.35)	9.84 x 2.36 x 5.12 (250 x 60 x 130)
i510-C1.5/400-3	2 (1.5)		3.9	3 (1.35)	9.84 x 2.36 x 5.12 (250 x 60 x 130)
i510-C2.2/400-3	3 (2.2)		5.6	3 (1.35)	9.84 x 2.36 x 5.12 (250 x 60 x 130)
i510-C3.0/400-3	4 (3)		7.3	3 (1.35)	9.84 x 2.36 x 5.12 (250 x 60 x 130)
i510-C4.0/400-3	5 (4)		9.5	3 (1.35)	9.84 x 2.36 x 5.12 (250 x 60 x 130)
i510-C5.5/400-3	7.5 (5.5)		13	5 (2.3)	9.84 x 3.54 x 5.12 (250 x 90 x 130)
i510-C7.5/400-3	10 (7.5)		16.5	8 (3.7)	10.87 x 4.72 x 5.12 (276 x 120 x 130)
i510-C11/400-3	15 (11)		23.5	8 (3.7)	10.87 x 4.72 x 5.12 (276 x 120 x 130)
3-phase mains connection 480 V - Light duty; with integrated RFI filter					
i510-C3/400-3	5 (4)	3/PE AC 340 V ... 528 V 45 Hz ... 65 Hz	8.8	3 (1.35)	9.84 x 2.36 x 5.12 (250 x 60 x 130)
i510-C4/400-3	7.5 (5.5)		11.9	3 (1.35)	9.84 x 2.36 x 5.12 (250 x 60 x 130)
i510-C5.5/400-3	10 (7.5)		15.6	5 (2.3)	9.84 x 3.54 x 5.12 (250 x 90 x 130)
i510-C7.5/400-3	15 (11)		23	8 (3.7)	10.87 x 4.72 x 5.12 (276 x 120 x 130)
i510-C11/400-3	20 (15)		28.2	8 (3.7)	10.87 x 4.72 x 5.12 (276 x 120 x 130)

i510-C3.0/400-3 and i510-C3/400-3 of the generation "A" are 3.54 in (90 mm) wide.
As stated, the devices of the generation "B" with a width of 2.36 in (60 mm) are 33% smaller.

Inverter i550; connection to 120 V mains and 230 V mains

Conformities	CE	2014/35/EU, 2014/30/EU
	EAC	TR TC 004/2011, TP TC 020/2011
	RoHS 2	2011/65/EU
Approvals	cUL _{us}	UL 61800-5-1, CSA 22.2 No. 274
Energy efficiency	Class IE2	EN 50598-2
Protection type	IP20	EN 60529 (except in wire range of terminals)
		NEMA 250 (type 1 protection against accidental contact only)
	Open type	Only in UL-approved systems
Power systems	TT, TN	Voltage to earth: max. 300 V
	IT	Apply the measures described for IT systems!
Mains switching		3 x within one minute possible
Operation with residual current circuit breaker		up to 3 hp (2.2 kW) 30 mA, above this 300 mA
Cable length for EMC	Category C2	65.6 ft. (20 m) (≤0.5 hp (0.37 kW) max. 49.2 ft. (15 m))
	Category C3	≥ 114.8 ft. (35 m) (≤0.5 hp (0.37 kW) max. 49.2 ft. (15 m))
Switching frequencies		2, 4, 8, 16 kHz, The rated output currents listed below apply at 113 °F (45 °C) and switching frequencies of 2 and 4 kHz, and at 104 °F (40 °C) and switching frequencies of 8 and 16 kHz
Max. ambient temperature		131 °F (55 °C) (derating of 2.5 %/1.8 °F over 113 °F (45 °C))
Max. output frequency		0 Hz ... 599 Hz
Overload capacity		200 % for 3s; 150 % for 60s

	Rated power	Mains voltage range	Rated output current	Weight	Dimensions (h x w x d)
	hp (kW)	V	A	lb (kg)	in (mm)
1-phase mains connection 120 V; without integrated RFI filter					
i550-C0.25/120-1	0.33 (0.25)	1/N/PE AC 90 V ... 132 V 45 Hz ... 65 Hz	1.7	2.2 (1)	7.09 x 2.36 x 5.12 (180 x 60 x 130)
i550-C0.37/120-1	0.5 (0.37)		2.4	2.2 (1)	7.09 x 2.36 x 5.12 (180 x 60 x 130)
i550-C0.75/120-1	1 (0.75)		4.2	3 (1.35)	9.84 x 2.36 x 5.12 (250 x 60 x 130)
i550-C1.1/120-1	1.5 (1.1)		6	3 (1.35)	9.84 x 2.36 x 5.12 (250 x 60 x 130)
1-phase mains connection 230/240 V; with integrated RFI filter					
i550-C0.25/230-1	0.33 (0.25)	1/N/PE AC 170 V ... 264 V 45 Hz ... 65 Hz	1.7	1.8 (0.8)	6.1 x 2.36 x 5.12 (155 x 60 x 130)
i550-C0.37/230-1	0.5 (0.37)		2.4	1.8 (0.8)	6.1 x 2.36 x 5.12 (155 x 60 x 130)
i550-C0.55/230-1	0.75 (0.55)		3.2	2.2 (1)	7.09 x 2.36 x 5.12 (180 x 60 x 130)
i550-C0.75/230-1	1 (0.75)		4.2	2.2 (1)	7.09 x 2.36 x 5.12 (180 x 60 x 130)
i550-C1.1/230-1	1.5 (1.1)		6	3 (1.35)	9.84 x 2.36 x 5.12 (250 x 60 x 130)
i550-C1.5/230-1	2 (1.5)		7	3 (1.35)	9.84 x 2.36 x 5.12 (250 x 60 x 130)
i550-C2.2/230-1	3 (2.2)		9.6	3 (1.35)	9.84 x 2.36 x 5.12 (250 x 60 x 130)
1-phase mains connection 230/240 V; without integrated RFI filter					
i550-C0.25/230-2	0.33 (0.25)	1/N/PE A 170 V ... 264 V 45 Hz ... 65 Hz	1.7	1.8 (0.8)	6.1 x 2.36 x 5.12 (155 x 60 x 130)
i550-C0.37/230-2	0.5 (0.37)		2.4	1.8 (0.8)	6.1 x 2.36 x 5.12 (155 x 60 x 130)
i550-C0.55/230-2	0.75 (0.55)		3.2	2.2 (1)	7.09 x 2.36 x 5.12 (180 x 60 x 130)
i550-C0.75/230-2	1 (0.75)		4.2	2.2 (1)	7.09 x 2.36 x 5.12 (180 x 60 x 130)
i550-C1.1/230-2	1.5 (1.1)		6	3 (1.35)	9.84 x 2.36 x 5.12 (250 x 60 x 130)
i550-C1.5/230-2	2 (1.5)		7	3 (1.35)	9.84 x 2.36 x 5.12 (250 x 60 x 130)
i550-C2.2/230-2	3 (2.2)		9.6	3 (1.35)	9.84 x 2.36 x 5.12 (250 x 60 x 130)
3-phase mains connection 230/240 V; without integrated RFI filter					
i550-C0.25/230-2	0.33 (0.25)	3/PE AC 170 V ... 264 V 45 Hz ... 65 Hz	1.7	1.8 (0.8)	6.1 x 2.36 x 5.12 (155 x 60 x 130)
i550-C0.37/230-2	0.5 (0.37)		2.4	1.8 (0.8)	6.1 x 2.36 x 5.12 (155 x 60 x 130)
i550-C0.55/230-2	0.75 (0.55)		3.2	2.2 (1)	7.09 x 2.36 x 5.12 (180 x 60 x 130)
i550-C0.75/230-2	1 (0.75)		4.2	2.2 (1)	7.09 x 2.36 x 5.12 (180 x 60 x 130)
i550-C1.1/230-2	1.5 (1.1)		6	3 (1.35)	9.84 x 2.36 x 5.12 (250 x 60 x 130)
i550-C1.5/230-2	2 (1.5)		7	3 (1.35)	9.84 x 2.36 x 5.12 (250 x 60 x 130)
i550-C2.2/230-2	3 (2.2)		9.6	3 (1.35)	9.84 x 2.36 x 5.12 (250 x 60 x 130)
i550-C4.0/230-3	5 (4)		16.5	4.6 (2.1)	9.84 x 3.54 x 5.12 (250 x 90 x 130)
i550-C5.5/230-3	7.5 (5.5)		23	4.6 (2.1)	9.84 x 3.54 x 5.12 (250 x 90 x 130)

Inverter i550; connection to 480 V mains

Certain i550 480 V inverters can be operated with two load characteristics.

Heavy Duty: For requirements with high overload behavior.

Light Duty: For requirements with low-level overload behavior.

Conformities	CE	2014/35/EU, 2014/30/EU
	EAC	TR TC 004/2011, TP TC 020/2011
	RoHS 2	2011/65/EU
Approvals	UL _{cs}	UL 61800-5-1, CSA 22.2 No. 274
Energy efficiency	Class IE2	EN 50598-2
Protection type	IP20	EN 60529 (except in wire range of terminals)
		NEMA 250 (type 1 protection against accidental contact only)
	Open type	Only in UL-approved systems
Power systems	TT, TN	Voltage to earth: max. 300 V
	IT	Apply the measures described for IT systems!
Mains switching		3 x within one minute possible
Operation with residual current circuit breaker		Up to 3 hp (2.2 kW) 30mA
Cable length for EMC	Category C2	65.6 ft. (20 m) (≤ 0.5 hp (0.37 kW) max. 49.2 ft. (15 m))
	Category C3	114.8 ft. (35 m) (≤ 0.5 hp (0.37 kW) max. 49.2 ft. (15 m))
Switching frequencies		2, 4, 8, 16 kHz, The rated output currents listed below apply at 113 °F (45 °C) and switching frequencies of 2 and 4 kHz, and at 104 °F (40 °C) and switching frequencies of 8 and 16 kHz
Ambient temperature		131 °F (55 °C) (derating of 2.5 %/1.8 °F over 113 °F (45 °C))
Max. output frequency		0 Hz ... 599 Hz
Overload capacity		200 % for 3s; Heavy Duty: 150 % for 60s; Light Duty: 120 % for 60s

	Rated power	Mains voltage range	Rated output current	Weight	Dimensions (h x w x d)
	hp (kW)	V	A	lb (kg)	in (mm)
3-phase mains connection 480 V – Heavy Duty; with integrated RFI filter					
i550-C0.37/400-3	0.5 (0.37)	3/PE AC 340 V ... 528 V 45 Hz ... 65 Hz	1.1	1.8 (0.8)	6.1 x 2.36 x 5.12 (155 x 60 x 130)
i550-C0.55/400-3	0.75 (0.55)		1.6	2.2 (1)	7.09 x 2.36 x 5.12 (180 x 60 x 130)
i550-C0.75/400-3	1 (0.75)		2.1	2.2 (1)	7.09 x 2.36 x 5.12 (180 x 60 x 130)
i550-C1.1/400-3	1.5 (1.1)		3	3 (1.35)	9.84 x 2.36 x 5.12 (250 x 60 x 130)
i550-C1.5/400-3	2 (1.5)		3.5	3 (1.35)	9.84 x 2.36 x 5.12 (250 x 60 x 130)
i550-C2.2/400-3	3 (2.2)		4.8	3 (1.35)	9.84 x 2.36 x 5.12 (250 x 60 x 130)
i550-C3/400-3	4 (3)		6.3	3 (1.35)	9.84 x 2.36 x 5.12 (250 x 60 x 130)
i550-C4/400-3	5 (4)		8.2	3 (1.35)	9.84 x 2.36 x 5.12 (250 x 60 x 130)
i550-C5.5/400-3	7.5 (5.5)		11	5 (2.3)	9.84 x 3.54 x 5.12 (250 x 90 x 130)
i550-C7.5/400-3	10 (7.5)		14	8 (3.7)	10.87 x 4.72 x 5.12 (276 x 120 x 130)
i550-C11/400-3	15 (11)		21	8 (3.7)	10.87 x 4.72 x 5.12 (276 x 120 x 130)
i550-C15/400-3	20 (15)		27	23 (10.3)	13.66 x 8.05 x 8.74 (347 x 204.5 x 222)
i550-C18/400-3	25 (18.5)		34	23 (10.3)	13.66 x 8.05 x 8.74 (347 x 204.5 x 222)
i550-C22/400-3	30 (22)		40.4	23 (10.3)	13.66 x 8.05 x 8.74 (347 x 204.5 x 222)
i550-C30/400-3	40 (30)		52	38 (17.2)	17.72 x 9.85 x 9.05 (450 x 250 x 230)
i550-C37/400-3	50 (37)		65	38 (17.2)	17.72 x 9.85 x 9.05 (450 x 250 x 230)
i550-C45/400-3	60 (45)		77	38 (17.2)	17.72 x 9.85 x 9.05 (450 x 250 x 230)
i550-C55/400-3	75 (55)	96	53 (24)	21 x 10 x 10.43 (536 x 250 x 265)	
i550-C75/400-3	100 (75)	124	53 (24)	21 x 10 x 10.43 (536 x 250 x 265)	
i550-C90/400-3	125 (90)	156	78.5 (35.6)	27 x 10.16 x 11.97 (685 x 258 x 304)	
i550-C110/400-3	150 (110)	180	78.5 (35.6)	27 x 10.16 x 11.97 (685 x 258 x 304)	
3-phase mains connection 480 V - Light duty; with integrated RFI filter					
i550-C3/400-3	5 (4)	3/PE AC 340 V ... 528 V 45 Hz ... 65 Hz	7.6	3 (1.35)	9.84 x 2.36 x 5.12 (250 x 60 x 130)
i550-C4/400-3	7.5 (5.5)		11.2	3 (1.35)	9.84 x 2.36 x 5.12 (250 x 60 x 130)
i550-C5.5/400-3	10 (7.5)		15.3	5 (2.3)	9.84 x 3.54 x 5.12 (250 x 90 x 130)
i550-C7.5/400-3	15 (11)		22	8 (3.7)	10.87 x 4.72 x 5.12 (276 x 120 x 130)
i550-C11/400-3	20 (15)		25.2	8 (3.7)	10.87 x 4.72 x 5.12 (276 x 120 x 130)
i550-C15/400-3	25 (18.5)		32.4	23 (10.3)	13.66 x 8.05 x 8.74 (347 x 204.5 x 222)
i550-C18/400-3	30 (22)		40.8	23 (10.3)	13.66 x 8.05 x 8.74 (347 x 204.5 x 222)
i550-C22/400-3	40 (30)		48.5	23 (10.3)	13.66 x 8.05 x 8.74 (347 x 204.5 x 222)
i550-C30/400-3	50 (37)		62.4	38 (17.2)	17.72 x 9.85 x 9.05 (450 x 250 x 230)
i550-C37/400-3	60 (45)		78	38 (17.2)	17.72 x 9.85 x 9.05 (450 x 250 x 230)
i550-C45/400-3	75 (55)		92.4	38 (17.2)	17.72 x 9.85 x 9.05 (450 x 250 x 230)
i550-C55/400-3	100 (75)		115	53 (24)	21 x 10 x 10.43 (536 x 250 x 265)
i550-C75/400-3	125 (90)		149	53 (24)	21 x 10 x 10.43 (536 x 250 x 265)
i550-C90/400-3	150 (110)		187	78.5 (35.6)	27 x 10.16 x 11.97 (685 x 258 x 304)
i550-C110/400-3	175 (132)		216	78.5 (35.6)	27 x 10.16 x 11.97 (685 x 258 x 304)

i510-C3.0/400-3 and i510-C3/400-3 of the generation "A" are 3.54 in (90 mm) wide.

As stated, the devices of the generation "B" with a width of 2.36 in (60 mm) are 33% smaller.

Order codes i500

i510 or i550:

Delivery as complete inverter

If the same inverter is always inserted into the machine, the inverter can be ordered “out of the box”. i5x0 is the designation for both products; these products can be ordered in the power range of up to 15 hp (11 kW).

Ordering information for complete devices

Example for inverter i550-C2.2/400-3:

Inverter	Order code
<ul style="list-style-type: none"> 3-phase mains connection 480 V Power 3 hp (2.2 kW) Safety function STO Standard I/O with CANopen 	i55AE222F1 A V1 0 002S

Inverter	Order code
i5x0-C0.25/120-1	i5xAE125A1
i5x0-C0.37/120-1	i5xAE137A1
i5x0-C0.75/120-1	i5xAE175A1
i5x0-C1.1/120-1	i5xAE211A1
i5x0-C0.25/230-1	i5xAE125B1
i5x0-C0.37/230-1	i5xAE137B1
i5x0-C0.55/230-1	i5xAE155B1
i5x0-C0.75/230-1	i5xAE175B1
i5x0-C1.1/230-1	i5xAE211B1
i5x0-C1.5/230-1	i5xAE215B1
i5x0-C2.2/230-1	i5xAE222B1
i5x0-C0.25/230-2	i5xAE125D1
i5x0-C0.37/230-2	i5xAE137D1
i5x0-C0.55/230-2	i5xAE155D1
i5x0-C0.75/230-2	i5xAE175D1
i5x0-C1.1/230-2	i5xAE211D1
i5x0-C1.5/230-2	i5xAE215D1
i5x0-C2.2/230-2	i5xAE222D1
i5x0-C4.0/230-3	i5xAE240C1
i5x0-C5.5/230-3	i5xAE255C1
i5x0-C0.37/400-3	i5xAE137F1
i5x0-C0.55/400-3	i5xAE155F1
i5x0-C0.75/400-3	i5xAE175F1
i5x0-C1.1/400-3	i5xAE211F1
i5x0-C1.5/400-3	i5xAE215F1
i5x0-C2.2/400-3	i5xAE222F1
i5x0-C3/400-3	i5xAE230F1
i5x0-C4/400-3	i5xAE240F1
i5x0-C5.5/400-3	i5xAE255F1
i5x0-C7.5/400-3	i5xAE275F1
i5x0-C11/400-3	i5xAE311F1
i550-C15/400-3	i55AE315F1
i550-C18.5/400-3	i55AE318F1
i550-C22/400-3	i55AE322F1
i550-C30/400-3	i55AE330F1
i550-C37/400-3	i55AE337F1
i550-C45/400-3	i55AE345F1
i550-C55/400-3	i55AE355F1
i550-C75/400-3	i55AE375F1
i550-C90/400-3	i55AE390F1
i550-C110/400-3	i55AE411F1
Safety engineering	
Without safety function	0
Safety function STO	A
Control code	
Type	
Global type, mains frequency 50 Hz	0
USA type, mains frequency 60 Hz	1
Compact device types i510	
Basic I/O	000S
Basic I/O with CANopen/Modbus	001S
Mounted control unit in the case of the i550	
Standard I/O without network	000S
Application I/O without network	001S
Standard I/O with CANopen	002S
Standard I/O with Modbus RTU	003S
Standard I/O with IO-Link	016S
Standard I/O with PROFIBUS	004S
Standard I/O with EtherCAT	00KS
Standard I/O with PROFINET	00LS
Standard I/O with EtherNet/IP	00MS
Standard I/O with Modbus TCP	00WS
Standard I/O with POWERLINK	012S

i550:
delivery as components

If different product versions are required in the machine, the various components can be ordered individually. Depending on the application, the components can be plugged together easily and without any further tools.

Ordering information for components

Example for inverter i550-C2.2/400-3:

Components	Order code
<ul style="list-style-type: none"> 3-phase mains connection 480 V Power 3 hp (2.2 kW) 	I5DAE222F10V10000S
Safety function STO	I5MASAV000000S
Standard I/O with CANopen	I5CA5C02000VA0000S





Power Unit inverter	Order code
i550-C0.25/120-1	i5DAE125A10V00000S
i550-C0.37/120-1	i5DAE137A10V00000S
i550-C0.75/120-1	i5DAE175A10V00000S
i550-C1.1/120-1	i5DAE211A10V00000S
i550-C0.25/230-1	i5DAE125B10V10000S
i550-C0.37/230-1	i5DAE137B10V10000S
i550-C0.55/230-1	i5DAE155B10V10000S
i550-C0.75/230-1	i5DAE175B10V10000S
i550-C1.1/230-1	i5DAE211B10V10000S
i550-C1.5/230-1	i5DAE215B10V10000S
i550-C2.2/230-1	i5DAE222B10V10000S
i550-C0.25/230-2	i5DAE125D10V00000S
i550-C0.37/230-2	i5DAE137D10V00000S
i550-C0.55/230-2	i5DAE155D10V00000S
i550-C0.75/230-2	i5DAE175D10V00000S
i550-C1.1/230-2	i5DAE211D10V00000S
i550-C1.5/230-2	i5DAE215D10V00000S
i550-C2.2/230-2	i5DAE222D10V00000S
i550-C4.0/230-3	i5DAE240C10V00000S
i550-C5.5/230-3	i5DAE255C10V00000S
i550-C0.37/400-3	i5DAE137F10V10000S
i550-C0.55/400-3	i5DAE155F10V10000S
i550-C0.75/400-3	i5DAE175F10V10000S
i550-C1.1/400-3	i5DAE211F10V10000S
i550-C1.5/400-3	i5DAE215F10V10000S
i550-C2.2/400-3	i5DAE222F10V10000S
i550-C3/400-3	i5DAE230F10V10000S
i550-C4/400-3	i5DAE240F10V10000S
i550-C5.5/400-3	i5DAE255F10V10000S
i550-C7.5/400-3	i5DAE275F10V10000S
i550-C11/400-3	i5DAE311F10V10000S
i550-C15/400-3	i5DAE315F10V10000S
i550-C18.5/400-3	i5DAE318F10V10000S
i550-C22/400-3	i5DAE322F10V10000S
i550-C30/400-3	i5DAE330F10V10000S
i550-C37/400-3	i5DAE337F10V10000S
i550-C45/400-3	i5DAE345F10V10000S
i550-C55/400-3	i5DAE355F10V10000S
i550-C75/400-3	i5DAE375F10V10000S
i550-C90/400-3	i5DAE390F10V10000S
i550-C110/400-3	i5DAE411F10V10000S

Control unit	Order code	
	50 Hz	60 Hz
Standard I/O without network	I5CA5002000VA0000S	I5CA5002000VA1000S
Application I/O without network	I5CA5003000VA0000S	I5CA5003000VA1000S
Standard I/O with CANopen	I5CA5C02000VA0000S	I5CA5C02000VA1000S
Standard I/O with Modbus RTU	I5CA5W02000VA0000S	I5CA5W02000VA1000S
Standard I/O with Modbus TCP	I5CA5V02000VA0000S	I5CA5V02000VA1000S
Standard I/O with IO-Link	I5CA5K02000VA0000S	I5CA5K02000VA1000S
Standard I/O with PROFIBUS	I5CA5P02000VA0000S	I5CA5P02000VA1000S
Standard I/O with EtherCAT	I5CA5T02000VA0000S	I5CA5T02000VA1000S
Standard I/O with PROFINET	I5CA5R02000VA0000S	I5CA5R02000VA1000S
Standard I/O with EtherNet/IP	I5CA5G02000VA0000S	I5CA5G02000VA1000S
Standard I/O with POWERLINK	I5CA5N02000VA0000S	I5CA5N02000VA1000S

Product extensions


Diagnostics and operation of the i510 and i550

For diagnostics and parameterization, the keypad, the Lenze SMART Keypad app (iOS and Android) or the EASY Starter can be used.

Inverter	External keypad	Keypad	WLAN	USB
				
i550-Cxxx/120-1 i5x0-Cxxx/230-1 i5x0-Cxxx/230-2 i550-Cxxx/230-3 i5x0-Cxxx/400-3	I5MADR0000000S	I5MADK0000000S	I5MADW0000000S	I5MADU0000000S
	9.84 ft. (3 m) cable			9.84 ft. (3 m) cable
	I5MADR0000001S			EWL0085/S
	16.4 ft. (5 m) cable			16.4 ft. (5 m) cable
	I5MADR0000002S			EWL0086/S

Functional safety i550

The safety function STO can also be ordered at a later date and retrofitted.

Inverter	Safety function STO (Safe torque off)
	
i550-Cxxx/120-1 i550-Cxxx/230-1 i550-Cxxx/230-2 i550-Cxxx/230-3 i550-Cxxx/400-3	I5MASAV0000000S

Shield sheet for i510 and i550


Accessories to safeguard the EMC if the motor shield is not installed on an earthing busbar in the control cabinet.

From 20 hp (15 kW) onwards, the shield plate is included with the inverter on delivery.

Inverter	Shield mounting kit	
Inverter i510 and i550 0.33 hp ... 3 hp (0.25 ... 2.2 kW)	EZAMBHXM014/S	1x motor shield plate 2 x fixing clips
	EZAMBHXM014/M	5 x motor shield plates 10 x fixing clips
	IEZAMBHXM015/S	1 x motor shield plate 2 x fixing clips 1 x clamps (cable diameter .16 in59 in (4 mm ... 15 mm))
Inverter i510 and i550 4 hp ... 7.5 hp (3.0 kW ... 5.5 kW)	IEZAMBHXM015/M	5 x motor shield plates 5 x fixing clips 5 x clamps (cable diameter .16 in59 in (4 mm ... 15 mm))
	EZAMBHXM016/S	1 x motor shield plate 1 x fixing clip 1 x clamp (cable diameter .39 in79 in (10 mm ... 20 mm))
	EZAMBHXM016/M	5 x motor shield plates 5 x fixing clips 5 x clamps (cable diameter .39 in79 in (10 mm ... 20 mm))
Inverter i550 20 hp ... 60 hp (15 kW ... 45 kW)	EZAMBHXM004/M	5 x clamps (cable diameter .59 in ... 1.1 in (15 mm ... 28 mm))
	EZAMBHXM005/M	5 x clamps (cable diameter .79 in ... 1.46 in (20 mm ... 37 mm))
Inverter i550 75 hp ... 100 hp (55 kW ... 75 kW)	EZAMBHXM005/M	5 x clamps (cable diameter .79 in ... 1.46 in (20 mm ... 37 mm))

Accessories


Accessories for i510; connection to 230 V mains

Inverter	Rated power hp (kW)	Mains voltage range V	Brake resistor		
					
			Order codes	Dimensions (h x w x d) in (mm)	
i510-C0.25/230-1	0.33 (0.25)	1/N/PE AC 170 V ... 264 V 45 Hz ... 65 Hz	-	-	
i510-C0.37/230-1	0.5 (0.37)		-	-	
i510-C0.55/230-1	0.75 (0.55)		-	-	
i510-C0.75/230-1	1 (0.75)		-	-	
i510-C1.1/230-1	1.5 (1.1)		-	-	
i510-C1.5/230-1	2 (1.5)		-	-	
i510-C2.2/230-1	3 (2.2)		-	-	
i510-C0.25/230-2	0.33 (0.25)	1/N/PE AC or 3/PE AC 170 V ... 264 V 45 Hz ... 65 Hz	-	-	
i510-C0.37/230-2	0.5 (0.37)		-	-	
i510-C0.55/230-2	0.75 (0.55)		-	-	
i510-C0.75/230-2	1 (0.75)		-	-	
i510-C1.1/230-2	1.5 (1.1)		-	-	
i510-C1.5/230-2	2 (1.5)		-	-	
i510-C2.2/230-2	3 (2.2)		-	-	
i510-C4.0/230-3	5 (4)	3/PE AC 170 V ... 264 V 45 Hz ... 65 Hz	-	-	
i510-C5.5/230-3	7.5 (5.5)		-	-	

	Mains choke		RFI filter			
			Short Distance		Long Distance	
			<ul style="list-style-type: none"> Optional Reduction of the effective mains current Fewer current harmonics 		<ul style="list-style-type: none"> C1 up to 82 ft. (25 m) (≤ 0.5 hp (0.37 kW) up to max 49.2 ft. (15 m)) C2 up to 164 ft. (50 m) (≤ 0.5 hp (0.37 kW) up to max 49.2 ft. (15 m)) Operation with 30 mA residual-current circuit breaker 	
	Order codes	Dimensions (h x w x d) in (mm)	Order codes	Dimensions (h x w x d) in (mm)	Order codes	Dimensions (h x w x d) in (mm)
	ELN1-0900H005	2.95 x 2.6 x 3.23 (75 x 66 x 82)	I0FAE175B100S0000S	10.87 x 2.36 x 1.97 (276 x 60 x 50)	I0FAE175B100D0000S	10.87 x 2.36 x 1.97 (276 x 60 x 50)
	ELN1-0900H005	2.95 x 2.6 x 3.23 (75 x 66 x 82)	I0FAE175B100S0000S	10.87 x 2.36 x 1.97 (276 x 60 x 50)	I0FAE175B100D0000S	10.87 x 2.36 x 1.97 (276 x 60 x 50)
	ELN1-0500H009	2.95 x 2.6 x 3.23 (75 x 66 x 82)	I0FAE175B100S0000S	10.87 x 2.36 x 1.97 (276 x 60 x 50)	I0FAE175B100D0000S	10.87 x 2.36 x 1.97 (276 x 60 x 50)
	ELN1-0500H009	2.95 x 2.6 x 3.23 (75 x 66 x 82)	I0FAE175B100S0000S	10.87 x 2.36 x 1.97 (276 x 60 x 50)	I0FAE175B100D0000S	10.87 x 2.36 x 1.97 (276 x 60 x 50)
	ELN1-0250H018	3.78 x 3.78 x 3.54 (96 x 96 x 90)	I0FAE222B100S0000S	13.62 x 2.36 x 1.97 (346 x 60 x 50)	I0FAE222B100D0000S	13.62 x 2.36 x 1.97 (346 x 60 x 50)
	ELN1-0250H018	3.78 x 3.78 x 3.54 (96 x 96 x 90)	I0FAE222B100S0000S	13.62 x 2.36 x 1.97 (346 x 60 x 50)	I0FAE222B100D0000S	13.62 x 2.36 x 1.97 (346 x 60 x 50)
	ELN1-0250H018	3.78 x 3.78 x 3.54 (96 x 96 x 90)	I0FAE222B100S0000S	13.62 x 2.36 x 1.97 (346 x 60 x 50)	I0FAE222B100D0000S	13.62 x 2.36 x 1.97 (346 x 60 x 50)
	EZAELN3002B153	2.2 x 3.03 x 3.94 (56 x 77 x 100)	–	–	–	–
	EZAELN3004B742	2.36 x 3.74 x 4.53.2 (60 x 95 x 115)	–	–	–	–
	EZAELN3004B742	2.36 x 3.74 x 4.53.2 (60 x 95 x 115)	–	–	–	–
	EZAELN3006B492	2.36 x 3.74 x 4.61 (69 x 95 x 117)	–	–	–	–
	EZAELN3006B492	2.36 x 3.74 x 4.61 (69 x 95 x 117)	–	–	–	–
	EZAELN3008B372	3.35 x 4.72 x 5.51 (85 x 120 x 140)	–	–	–	–
	EZAELN3010B292	3.35 x 4.72 x 5.51 (85 x 120 x 140)	–	–	–	–
	EZAELN3016B182	3.74 x 4.72 x 5.51 (95 x 120 x 140)	–	–	–	–
	EZAELN3025B122	4.33 x 6.1 x 6.69 (110 x 155 x 170)	–	–	–	–

Accessories

Accessories for i510; connection to 480 V mains


Inverter	Rated power	Mains voltage range	Brake resistor		
	hp (kW)	V			
					
			Order codes	Dimensions (h x w x d) in (mm)	
	Heavy Duty				
i510-C0.37/400-3	0.5 (0.37)	3/PE AC 340 V ... 528 V 45 Hz ... 65 Hz	-	-	
i510-C0.55/400-3	0.75 (0.55)		-	-	
i510-C0.75/400-3	1 (0.75)		-	-	
i510-C1.1/400-3	1.5 (1.1)		-	-	
i510-C1.5/400-3	2 (1.5)		-	-	
i510-C2.2/400-3	3 (2.2)		-	-	
i510-C3.0/400-3	4 (3)		-	-	
i510-C4.0/400-3	5 (4)		-	-	
i510-C5.5/400-3	7.5 (5.5)		-	-	
i510-C7.5/400-3	10 (7.5)		-	-	
i510-C11/400-3	15 (11)		-	-	
	Light Duty				
i510-C3/400-3	5 (4)	3/PE AC 340 V ... 528 V 45 Hz ... 65 Hz	-	-	
i510-C4/400-3	7.5 (5.5)		-	-	
i510-C5.5/400-3	10 (7.5)		-	-	
i510-C7.5/400-3	15 (11)		-	-	
i510-C11/400-3	20 (15)		-	-	

There are also additional accessory components available for the i510 inverter. You can find the complete range in the configuration document for the i510.

Mains choke			RFI filter			
			Short Distance		Long Distance	
			<ul style="list-style-type: none"> • Optional • Reduction of the effective mains current • Fewer current harmonics 			<ul style="list-style-type: none"> • C1 up to 82 ft. (25 m) (≤ 0.5 hp (0.37 kW) up to max 49.2 ft. (15 m)) • C2 up to 164 ft. (50 m) (≤ 0.5 hp (0.37 kW) up to max 49.2 ft. (15 m)) • Operation with 30 mA residual-current circuit breaker
Order codes	Dimensions (h x w x d) in (mm)		Order codes	Dimensions (h x w x d) in (mm)	Order codes	Dimensions (h x w x d) in (mm)
EZAELN3002B203	2.2 x 3.03 x 3.94 (56 x 77 x 100)		IOFAE175F100S0000S	10.87 x 2.36 x 1.97 (276 x 60 x 50)	IOFAE175F100D0000S	10.87 x 2.36 x 1.97 (276 x 60 x 50)
EZAELN3002B153	2.2 x 3.03 x 3.94 (56 x 77 x 100)		IOFAE175F100S0000S	10.87 x 2.36 x 1.97 (276 x 60 x 50)	IOFAE175F100D0000S	10.87 x 2.36 x 1.97 (276 x 60 x 50)
EZAELN3004B742	2.36 x 3.74 x 4.49 (60 x 95 x 114)		IOFAE175F100S0000S	10.87 x 2.36 x 1.97 (276 x 60 x 50)	IOFAE175F100D0000S	10.87 x 2.36 x 1.97 (276 x 60 x 50)
EZAELN3004B742	2.36 x 3.74 x 4.49 (60 x 95 x 114)		IOFAE222F100S0000S	13.62 x 2.36 x 1.97 (346 x 60 x 50)	IOFAE222F100D0000S	13.62 x 2.36 x 1.97 (346 x 60 x 50)
EZAELN3004B742	2.36 x 3.74 x 4.49 (60 x 95 x 114)		IOFAE222F100S0000S	13.62 x 2.36 x 1.97 (346 x 60 x 50)	IOFAE222F100D0000S	13.62 x 2.36 x 1.97 (346 x 60 x 50)
EZAELN3006B492	2.72 x 3.74 x 4.72 (69 x 95 x 120)		IOFAE222F100S0000S	13.62 x 2.36 x 1.97 (346 x 60 x 50)	IOFAE222F100D0000S	13.62 x 2.36 x 1.97 (346 x 60 x 50)
EZAELN3008B372	3.35 x 4.72 x 5.51 (85 x 120 x 140)		IOFAE255F100S0001S	13.62 x 3.54 x 2.36 (346 x 90 x 60)	IOFAE240F100D0000S	13.62 x 2.36 x 1.97 (346 x 60 x 50)
EZAELN3010B292	3.35 x 4.72 x 5.51 (85 x 120 x 140)		IOFAE255F100S0001S	13.62 x 3.54 x 2.36 (346 x 90 x 60)	IOFAE240F100D0000S	13.62 x 2.36 x 1.97 (346 x 60 x 50)
EZAELN3016B182	3.74 x 4.72 x 5.51 (95 x 120 x 140)		IOFAE255F100S0001S	13.62 x 3.54 x 2.36 (346 x 90 x 60)	IOFAE255F100D0001S	13.62 x 3.54 x 1.97 (346 x 90 x 50)
EZAELN3016B182	3.74 x 4.72 x 5.51 (95 x 120 x 140)		IOFAE311F100S0000S	14.61 x 4.72 x 2.36 (371 x 120 x 60)	IOFAE311F100D0000S	14.61 x 4.72 x 2.36 (371 x 120 x 60)
EZAELN3025B122	4.33 x 6.1 x 6.69 (110 x 155 x 170)		IOFAE311F100S0000S	14.61 x 4.72 x 2.36 (371 x 120 x 60)	IOFAE311F100D0000S	14.61 x 4.72 x 2.36 (371 x 120 x 60)
EZAELN3010B292	3.35 x 4.72 x 5.51 (85 x 120 x 140)		IOFAE255F100S0001S	13.62 x 3.54 x 1.97 (346 x 90 x 50)	IOFAE240F100D0000S	13.62 x 2.36 x 1.97 (346 x 60 x 50)
EZAELN3016B182	3.74 x 4.72 x 5.51 (95 x 120 x 140)		IOFAE255F100S0001S	13.62 x 3.54 x 1.97 (346 x 90 x 50)	IOFAE255F100D0001S	13.62 x 3.54 x 2.36 (346 x 90 x 60)
EZAELN3016B182	3.74 x 4.72 x 5.51 (95 x 120 x 140)		IOFAE255F100S0001S	13.62 x 3.54 x 1.97 (346 x 90 x 50)	IOFAE255F100D0001S	13.62 x 3.54 x 2.36 (346 x 90 x 60)
EZAELN3025B122	4.33 x 6.1 x 6.69 (110 x 155 x 170)		IOFAE311F100S0000S	14.61 x 4.72 x 2.36 (371 x 120 x 60)	IOFAE311F100D0000S	14.61 x 4.72 x 2.36 (371 x 120 x 60)
EZAELN3030B981	4.33 x 6.1 x 6.69 (110 x 155 x 170)		IOFAE311F100S0000S	14.61 x 4.72 x 2.36 (371 x 120 x 60)	IOFAE311F100D0000S	14.61 x 4.72 x 2.36 (371 x 120 x 60)

Accessories

Accessories for i550; connection to 120 V mains and 230 V mains


Inverter	Rated power hp (kW)	Mains voltage range V	Brake resistor	
				
			Order codes	Dimensions (h x w x d) in (mm)
i550-C0.25/120-1	0.33 (0.25)	1/N/PE AC 90 V ... 132 V 45 Hz ... 65 Hz	ERBM180R050W	6.89 x 0.83 x 1.57 (175 x 21 x 40)
i550-C0.37/120-1	0.5 (0.37)		ERBM180R050W	6.89 x 0.83 x 1.57 (175 x 21 x 40)
i550-C0.75/120-1	1 (0.75)		ERBP047R200W	12.6 x 1.61 x 4.8 (320 x 41 x 122)
i550-C1.1/120-1	1.5 (1.1)		ERBP047R200W	12.6 x 1.61 x 4.8 (320 x 41 x 122)
i550-C0.25/230-1	0.33 (0.25)	1/N/PE AC 170 V ... 264 V 45 Hz ... 65 Hz	ERBM180R050W	6.89 x 0.83 x 1.57 (175 x 21 x 40)
i550-C0.37/230-1	0.5 (0.37)		ERBM180R050W	6.89 x 0.83 x 1.57 (175 x 21 x 40)
i550-C0.55/230-1	0.75 (0.55)		ERBM100R100W	9.45 x 3.15 x 3.74 (240 x 80 x 95)
i550-C0.75/230-1	1 (0.75)		ERBM100R100W	9.45 x 3.15 x 3.74 (240 x 80 x 95)
i550-C1.1/230-1	1.5 (1.1)		ERBP033R200W	9.45 x 1.61 x 4.8 (240 x 41 x 122)
i550-C1.5/230-1	2 (1.5)		ERBP033R200W	9.45 x 1.61 x 4.8 (240 x 41 x 122)
i550-C2.2/230-1	3 (2.2)		ERBP033R200W	9.45 x 1.61 x 4.8 (240 x 41 x 122)
i550-C0.25/230-2	0.33 (0.25)	1/N/PE AC or 3/PE AC 170 V ... 264 V 45 Hz ... 65 Hz	ERBM180R050W	6.89 x 0.83 x 1.57 (175 x 21 x 40)
i550-C0.37/230-2	0.5 (0.37)		ERBM180R050W	6.89 x 0.83 x 1.57 (175 x 21 x 40)
i550-C0.55/230-2	0.75 (0.55)		ERBM100R100W	9.45 x 3.15 x 3.74 (240 x 80 x 95)
i550-C0.75/230-2	1 (0.75)		ERBM100R100W	9.45 x 3.15 x 3.74 (240 x 80 x 95)
i550-C1.1/230-2	1.5 (1.1)		ERBP033R200W	9.45 x 1.61 x 4.8 (240 x 41 x 122)
i550-C1.5/230-2	2 (1.5)		ERBP033R200W	9.45 x 1.61 x 4.8 (240 x 41 x 122)
i550-C2.2/230-2	3 (2.2)		ERBP033R200W	9.45 x 1.61 x 4.8 (240 x 41 x 122)
i550-C4.0/230-3	5 (4)	3/PE AC 170 V ... 264 V 45 Hz ... 65 Hz	ERBS015R800W	27.95 x 4.33 x 4.13 (710 x 110 x 105)
i550-C5.5/230-3	7.5 (5.5)		ERBS015R800W	27.95 x 4.33 x 4.13 (710 x 110 x 105)

There are also additional accessory components available for the i550 inverter. You can find the complete range in the configuration document for the i550.

	Mains choke		RFI filter			
			Short Distance		Long Distance	
	<ul style="list-style-type: none"> Optional up to 25 hp (18.5 kW); mandatory from 30 hp (22 kW) upwards Reduction of the effective mains current Fewer current harmonics 		<ul style="list-style-type: none"> C1 up to 82 ft. (25 m) (≤ 0.5 hp (0.37 kW) up to max 49.2 ft. (15 m)) C2 up to 164 ft. (50 m) (≤ 0.5 hp (0.37 kW) up to max 49.2 ft. (15 m)) Operation with 30 mA residual-current circuit breaker 		<ul style="list-style-type: none"> C1 up to 164 ft. (50 m) (≤ 0.5 hp (0.37 kW) up to max 49.2 ft. (15 m)) C2 up to 164 ft. (50 m) (≤ 0.5 hp (0.37 kW) up to max 49.2 ft. (15 m)) C2 up to 328 ft. (≤ 0.5 hp up to max. 49 ft.); ≤ 3 hp up to max. 164 ft.) Operation with 300 mA residual-current circuit breaker 	
	Order codes	Dimensions (h x w x d) in (mm)	Order codes	Dimensions (h x w x d) in (mm)	Order codes	Dimensions (h x w x d) in (mm)
	ELN1-0500H009	2.95 x 2.6 x 3.23 (75 x 66 x 82)	–	–	–	–
	ELN1-0500H009	2.95 x 2.6 x 3.23 (75 x 66 x 82)	–	–	–	–
	ELN1-0250H018	3.78 x 3.78 x 3.54 (96 x 96 x 90)	–	–	–	–
	ELN1-0250H018	3.78 x 3.78 x 3.54 (96 x 96 x 90)	–	–	–	–
	ELN1-0900H005	2.95 x 2.6 x 3.23 (75 x 66 x 82)	I0FAE175B100S0000S	10.87 x 2.36 x 1.97 (276 x 60 x 50)	I0FAE175B100D0000S	10.87 x 2.36 x 1.97 (276 x 60 x 50)
	ELN1-0900H005	2.95 x 2.6 x 3.23 (75 x 66 x 82)	I0FAE175B100S0000S	10.87 x 2.36 x 1.97 (276 x 60 x 50)	I0FAE175B100D0000S	10.87 x 2.36 x 1.97 (276 x 60 x 50)
	ELN1-0500H009	2.95 x 2.6 x 3.23 (75 x 66 x 82)	I0FAE175B100S0000S	10.87 x 2.36 x 1.97 (276 x 60 x 50)	I0FAE175B100D0000S	10.87 x 2.36 x 1.97 (276 x 60 x 50)
	ELN1-0500H009	2.95 x 2.6 x 3.23 (75 x 66 x 82)	I0FAE175B100S0000S	10.87 x 2.36 x 1.97 (276 x 60 x 50)	I0FAE175B100D0000S	10.87 x 2.36 x 1.97 (276 x 60 x 50)
	ELN1-0250H018	3.78 x 3.78 x 3.54 (96 x 96 x 90)	I0FAE222B100S0000S	13.62 x 2.36 x 1.97 (346 x 60 x 50)	I0FAE222B100D0000S	13.62 x 2.36 x 1.97 (346 x 60 x 50)
	ELN1-0250H018	3.78 x 3.78 x 3.54 (96 x 96 x 90)	I0FAE222B100S0000S	13.62 x 2.36 x 1.97 (346 x 60 x 50)	I0FAE222B100D0000S	13.62 x 2.36 x 1.97 (346 x 60 x 50)
	ELN1-0250H018	3.78 x 3.78 x 3.54 (96 x 96 x 90)	I0FAE222B100S0000S	13.62 x 2.36 x 1.97 (346 x 60 x 50)	I0FAE222B100D0000S	13.62 x 2.36 x 1.97 (346 x 60 x 50)
	EZAELN3002B153	2.2 x 3.03 x 3.94 (56 x 77 x 100)	–	–	–	–
	EZAELN3004B742	2.36 x 3.74 x 4.53.2 (60 x 95 x 115)	–	–	–	–
	EZAELN3004B742	2.36 x 3.74 x 4.53.2 (60 x 95 x 115)	–	–	–	–
	EZAELN3006B492	2.72 x 3.74 x 4.72 (69 x 95 x 120)	–	–	–	–
	EZAELN3006B492	2.72 x 3.74 x 4.72 (69 x 95 x 120)	–	–	–	–
	EZAELN3008B372	3.35 x 4.72 x 5.51 (85 x 120 x 140)	–	–	–	–
	EZAELN3010B292	3.35 x 4.72 x 5.51 (85 x 120 x 140)	–	–	–	–
	EZAELN3016B182	3.74 x 4.72 x 5.51 (95 x 120 x 140)	–	–	–	–
	EZAELN3025B122	4.33 x 6.1 x 6.69 (110 x 155 x 170)	–	–	–	–

Accessories


Accessories for i550; connection to 480 V mains

Inverter	Rated power hp (kW)	Mains voltage range V	Brake resistor	
			Order codes	Dimensions (h x w x d) in (mm)
				
	Heavy Duty			
i550-C0.37/400-3	0.5 (0.37)	3/PE AC 340 V ... 528 V 45 Hz ... 65 Hz	ERBM390R100W	9.25 x 0.83 x 1.57 (235 x 21 x 40)
i550-C0.55/400-3	0.75 (0.55)		ERBM390R100W	9.25 x 0.83 x 1.57 (235 x 21 x 40)
i550-C0.75/400-3	1 (0.75)		ERBM390R100W	9.25 x 0.83 x 1.57 (235 x 21 x 40)
i550-C1.1/400-3	1.5 (1.1)		ERBP180R200W	9.45 x 1.61 x 4.8 (240 x 41 x 122)
i550-C1.5/400-3	2 (1.5)		ERBP180R200W	9.45 x 1.61 x 4.8 (240 x 41 x 122)
i550-C2.2/400-3	3 (2.2)		ERBP180R200W	9.45 x 1.61 x 4.8 (240 x 41 x 122)
i550-C3.0/400-3	4 (3)		ERBP082R200W	12.6 x 1.61 x 4.8 (320 x 41 x 122)
i550-C4.0/400-3	5 (4)		ERBP047R200W	12.6 x 1.61 x 4.8 (320 x 41 x 122)
i550-C5.5/400-3	7.5 (5.5)		ERBP047R200W	12.6 x 1.61 x 4.8 (320 x 41 x 122)
i550-C7.5/400-3	10 (7.5)		ERBP027R200W	12.6 x 1.61 x 4.8 (320 x 41 x 122)
i550-C11/400-3	15 (11)		ERBP027R200W	12.6 x 1.61 x 4.8 (320 x 41 x 122)
i550-C15/400-3	20 (15)		ERBS018R800W	27.95 x 4.33 x 4.13 (710 x 110 x 105)
i550-C18/400-3	25 (18.5)		ERBS015R800W	27.95 x 4.33 x 4.13 (710 x 110 x 105)
i550-C22/400-3	30 (22)		ERBS015R800W	27.95 x 4.33 x 4.13 (710 x 110 x 105)
i550-C30/400-3	40 (30)		ERBG075D01K9	19.13 x 9.29 x 11.89 (486 x 236 x 302)
i550-C37/400-3	50 (37)		ERBG075D01K9	19.13 x 9.29 x 11.89 (486 x 236 x 302)
i550-C45/400-3	60 (45)		ERBG075D01K9	19.13 x 9.29 x 11.89 (486 x 236 x 302)
i550-C55/400-3	75 (55)		ERBG005R02K6	19.13 x 12.83 x 11.89 (486 x 326 x 302)
i550-C75/400-3	100 (75)		ERBG005R02K6	19.13 x 12.83 x 11.89 (486 x 326 x 302)
i550-C90/400-3	125 (90)	ERBG028D04K1	19.13 x 9.29 x 11.89 (486 x 426 x 302)	
i550-C110/400-3	150 (110)	ERBG028D04K1	19.13 x 16.77 x 11.89 (486 x 426 x 302)	

	Mains choke		RFI filter			
			Short Distance		Long Distance	
	<ul style="list-style-type: none"> • Heavy Duty: optional up to 25 hp (18.5 kW), mandatory from 30 hp (22 kW) upwards • Light Duty: always mandatory • Reduction of the effective mains current • Fewer current harmonics 		<ul style="list-style-type: none"> • C1 up to 82 ft. (25 m) (≤ 0.5 hp (0.37 kW) up to max 49.2 ft. (15 m)) • C2 up to 164 ft. (50 m) (≤ 0.5 hp (0.37 kW) up to max 49.2 ft. (15 m)) • Operation with 30 mA residual-current circuit breaker 		<ul style="list-style-type: none"> • C1 up to 164 ft. (50 m) (≤ 0.5 hp (0.37 kW) up to max 49.2 ft. (15 m)) • C2 up to 328 ft. (100 m) (≤ 0.5 hp (0.37 kW) up to max 49.2 ft. (15 m)); (≤ 3 hp (2.2 kW) up to max 164 ft. (50 m)) • Mains filter from 30 hp (22 kW) (mains choke and Long Distance filter) integrated. • Operation with 300 mA residual-current circuit breaker 	
Order codes	Dimensions (h x w x d) in (mm)	Order codes	Dimensions (h x w x d) in (mm)	Order codes	Dimensions (h x w x d) in (mm)	
EZAELN3002B203	2.2 x 3.03 x 3.94 (56 x 77 x 100)	I0FAE175F100S0000S	10.87 x 2.36 x 1.97 (276 x 60 x 50)	I0FAE175F100D0000S	10.87 x 2.36 x 1.97 (276 x 60 x 50)	
EZAELN3002B153	2.2 x 3.03 x 3.94 (56 x 77 x 100)	I0FAE175F100S0000S	10.87 x 2.36 x 1.97 (276 x 60 x 50)	I0FAE175F100D0000S	10.87 x 2.36 x 1.97 (276 x 60 x 50)	
EZAELN3004B742	2.36 x 3.74 x 4.53.2 (60 x 95 x 115)	I0FAE175F100S0000S	10.87 x 2.36 x 1.97 (276 x 60 x 50)	I0FAE175F100D0000S	10.87 x 2.36 x 1.97 (276 x 60 x 50)	
EZAELN3004B742	2.36 x 3.74 x 4.53.2 (60 x 95 x 115)	I0FAE222F100S0000S	13.62 x 2.36 x 1.97 (346 x 60 x 50)	I0FAE222F100D0000S	13.62 x 2.36 x 1.97 (346 x 60 x 50)	
EZAELN3004B742	2.36 x 3.74 x 4.53.2 (60 x 95 x 115)	I0FAE222F100S0000S	13.62 x 2.36 x 1.97 (346 x 60 x 50)	I0FAE222F100D0000S	13.62 x 2.36 x 1.97 (346 x 60 x 50)	
EZAELN3006B492	2.72 x 3.74 x 4.72 (69 x 95 x 120)	I0FAE222F100S0000S	13.62 x 2.36 x 1.97 (346 x 60 x 50)	I0FAE222F100D0000S	13.62 x 2.36 x 1.97 (346 x 60 x 50)	
EZAELN3008B372	3.35 x 4.72 x 5.51 (85 x 120 x 140)	I0FAE255F100S0001S	13.62 x 3.54 x 2.36 (346 x 90 x 60)	I0FAE240F100D0000S	13.62 x 2.36 x 1.97 (346 x 60 x 50)	
EZAELN3010B292	3.35 x 4.72 x 5.51 (85 x 120 x 140)	I0FAE255F100S0001S	13.62 x 3.54 x 2.36 (346 x 90 x 60)	I0FAE240F100D0000S	13.62 x 2.36 x 1.97 (346 x 60 x 50)	
EZAELN3016B182	3.74 x 4.72 x 5.51 (95 x 120 x 140)	I0FAE255F100S0001S	13.62 x 3.54 x 2.36 (346 x 90 x 60)	I0FAE255F100D0001S	13.62 x 3.54 x 2.36 (346 x 90 x 60)	
EZAELN3016B182	3.74 x 4.72 x 5.51 (95 x 120 x 140)	I0FAE311F100S0000S	14.61 x 4.72 x 2.36 (371 x 120 x 60)	I0FAE311F100D0000S	14.61 x 4.72 x 2.36 (371 x 120 x 60)	
EZAELN3025B122	4.33 x 6.1 x 6.69 (110 x 155 x 170)	I0FAE311F100S0000S	14.61 x 4.72 x 2.36 (371 x 120 x 60)	I0FAE311F100D0000S	14.61 x 4.72 x 2.36 (371 x 120 x 60)	
EZAELN3030B981	4.33 x 6.1 x 6.69 (110 x 155 x 170)	–	–	I0FAE318F100D0000S	17.17 x 8.07 x 3.54 (436 x 205 x 90)	
EZAELN3040B741	4.41 x 7.28 x 7.87 (112 x 185 x 200)	–	–	I0FAE318F100D0000S	17.17 x 8.07 x 3.54 (436 x 205 x 90)	
EZAELN3045B651	4.41 x 7.28 x 7.87 (112 x 185 x 200)	–	–	I0FAE322F100D0000S	17.17 x 8.07 x 3.54 (436 x 205 x 90)	
EZAELN3063B471	4.8 x 7.28 x 8.27 (122 x 185 x 210)	–	–	I0FAE330F100D0000S	23.23 x 9.84 x 4.13 (590 x 250 x 105)	
EZAELN3080B371	4.92 x 8.27 x 9.45 (125 x 210 x 240)	–	–	I0FAE337F100D0000S	23.23 x 9.84 x 4.13 (590 x 250 x 105)	
EZAELN3080B371	4.92 x 8.27 x 9.45 (125 x 210 x 240)	–	–	I0FAE345F100D0001S	23.23 x 9.84 x 4.13 (590 x 250 x 105)	
EZAELN3100B301	5.47 x 10.51 x 8.07 (139 x 267 x 205)	–	–	I0FAE355F100D0001S	27.56 x 9.84 x 4.13 (700 x 250 x 105)	
EZAELN3160B191	5.87 x 11.46 x 8.46 (149 x 291 x 215)	–	–	I0FAE375F100D0001S	27.56 x 9.84 x 4.13 (700 x 250 x 105)	
EZAELN3180B171	6.46 x 12.44 x 9.25 (164 x 316 x 235)	–	–	I0FAE411F100D0001S	33.66 x 9.84 x 5.19 (855 x 250 x 130)	
EZAELN3200B151	5.67 x 13.86 x 10.43 (144 x 352 x 265)	–	–	I0FAE411F100D0001S	33.66 x 9.84 x 5.19 (855 x 250 x 130)	

Accessories

Accessories for i550; connection to 480 V mains

Inverter	Rated power	Mains voltage range	Brake resistor	
	hp (kW)	V		
				
			Order codes	Dimensions (h x w x d)
				in (mm)
	Light Duty			
i550-C3/400-3	5 (4)	3/PE AC 340 V ... 528 V 45 Hz ... 65 Hz	ERBP082R200W	12.6 x 1.61 x 4.8 (320 x 41 x 122)
i550-C4/400-3	7.5 (5.5)		ERBP047R200W	12.6 x 1.61 x 4.8 (320 x 41 x 122)
i550-C5.5/400-3	10 (7.5)		ERBP047R200W	12.6 x 1.61 x 4.8 (320 x 41 x 122)
i550-C7.5/400-3	15 (11)		ERBP027R200W	12.6 x 1.61 x 4.8 (320 x 41 x 122)
i550-C11/400-3	20 (15)		ERBP027R200W	12.6 x 1.61 x 4.8 (320 x 41 x 122)
i550-C15/400-3	25 (18.5)		ERBS018R800W	27.95 x 4.33 x 4.13 (710 x 110 x 105)
i550-C18/400-3	30 (22)		ERBS015R800W	27.95 x 4.33 x 4.13 (710 x 110 x 105)
i550-C22/400-3	40 (30)		ERBS015R800W	27.95 x 4.33 x 4.13 (710 x 110 x 105)
i550-C30/400-3	50 (37)		ERBG075D01K9	19.13 x 9.29 x 11.89 (486 x 236 x 302)
i550-C37/400-3	60 (45)		ERBG075D01K9	19.13 x 9.29 x 11.89 (486 x 236 x 302)
i550-C45/400-3	75 (55)		ERBG075D01K9	19.13 x 9.29 x 11.89 (486 x 236 x 302)
i550-C55/400-3	100 (75)		ERBG005R02K6	19.13 x 12.83 x 11.89 (486 x 326 x 302)
i550-C75/400-3	125 (90)		ERBG005R02K6	19.13 x 12.83 x 11.89 (486 x 326 x 302)
i550-C90/400-3	150 (110)		ERBG028D04K1	19.13 x 16.77 x 11.89 (486 x 426 x 302)
i550-C110/400-3	175 (132)		ERBG028D04K1	19.13 x 16.77 x 11.89 (486 x 426 x 302)

There are also additional accessory components available for the i550 inverter. You can find the complete range in the configuration document for the i550.

Mains choke		RFI filter			
		Short Distance		Long Distance	
<ul style="list-style-type: none"> • Heavy Duty: optional up to 25 hp (18.5 kW), mandatory from 30 hp (22 kW) upwards • Light Duty: always mandatory • Reduction of the effective mains current • Fewer current harmonics 		<ul style="list-style-type: none"> • C1 up to 82 ft. (25 m) (≤ 0.5 hp (0.37 kW) up to max 49.2 ft. (15 m)) • C2 up to 164 ft. (50 m) (≤ 0.5 hp (0.37 kW) up to max 49.2 ft. (15 m)) • Operation with 30 mA residual-current circuit breaker 		<ul style="list-style-type: none"> • C1 up to 164 ft. (50 m) (≤ 0.5 hp (0.37 kW) up to max 49.2 ft. (15 m)) • C2 up to 328 ft. (100 m) (≤ 0.5 hp (0.37 kW) up to max 49.2 ft. (15 m)); (≤ 3 hp (2.2 kW) up to max 164 ft. (50 m)) • Mains filter from 30 hp (22 kW) (mains choke and Long Distance filter) integrated. • Operation with 300 mA residual-current circuit breaker 	
Order codes	Dimensions (h x w x d)	Order codes	Dimensions (h x w x d)	Order codes	Dimensions (h x w x d)
	in (mm)		in (mm)		in (mm)
EZAELN3010B292	3.35 x 4.72 x 5.51 (85 x 120 x 140)	I0FAE255F100S0001S	13.62 x 3.54 x 2.36 (346 x 90 x 60)	I0FAE240F100D0000S	13.62 x 2.36 x 1.97 (346 x 60 x 50)
EZAELN3016B182	3.74 x 4.72 x 5.51 (95 x 120 x 140)	I0FAE255F100S0001S	13.62 x 3.54 x 2.36 (346 x 90 x 60)	I0FAE255F100D0001S	13.62 x 3.54 x 2.36 (346 x 90 x 60)
EZAELN3016B182	3.74 x 4.72 x 5.51 (95 x 120 x 140)	I0FAE255F100S0001S	13.62 x 3.54 x 2.36 (346 x 90 x 60)	I0FAE255F100D0001S	13.62 x 3.54 x 2.36 (346 x 90 x 60)
EZAELN3025B122	4.33 x 6.1 x 6.69 (110 x 155 x 170)	I0FAE311F100S0000S	14.61 x 4.72 x 2.36 (371 x 120 x 60)	I0FAE311F100D0000S	14.61 x 4.72 x 2.36 (371 x 120 x 60)
EZAELN3030B981	4.33 x 6.1 x 6.69 (110 x 155 x 170)	I0FAE311F100S0000S	14.61 x 4.72 x 2.36 (371 x 120 x 60)	I0FAE311F100D0000S	14.61 x 4.72 x 2.36 (371 x 120 x 60)
EZAELN3040B741	4.41 x 7.28 x 7.87 (112 x 185 x 200)	–	–	I0FAE318F100D0000S	17.17 x 8.07 x 3.54 (436 x 205 x 90)
EZAELN3045B651	4.41 x 7.28 x 7.87 (112 x 185 x 200)	–	–	I0FAE322F100D0000S	17.17 x 8.07 x 3.54 (436 x 205 x 90)
EZAELN3063B471	4.8 x 7.28 x 8.27 (122 x 185 x 210)	–	–	I0FAE322F100D0000S	17.17 x 8.07 x 3.54 (436 x 205 x 90)
EZAELN3080B371	4.92 x 8.27 x 9.45 (125 x 210 x 240)	–	–	I0FAE337F100D0000S	23.23 x 9.84 x 105 (590 x 250 x 105)
EZAELN3090B331)	4.53 x 10.51 x 8.07 (115 x 267 x 205)	–	–	I0FAE345F100D0001S	23.23 x 9.84 x 105 (590 x 250 x 105)
EZAELN3100B301	5.47 x 10.51 x 8.07 (139 x 267 x 205)	–	–	I0FAE345F100D0001S	23.23 x 9.84 x 105 (590 x 250 x 105)
EZAELN3125B241	5.47 x 11.46 x 8.46 (139 x 291 x 215)	–	–	I0FAE355F100D0001S	27.56 x 9.84 x 4.13 (700 x 250 x 105)
EZAELN3160B191	5.87 x 11.46 x 8.46 (149 x 291 x 215)	–	–	I0FAE375F100D0001S	27.56 x 9.84 x 4.13 (700 x 250 x 105)
EZAELN3200B151	5.67 x 13.86 x 10.41 (144 x 352 x 265)	–	–	I0FAE411F100D0001S	33.67 x 9.84 x 5.19 (855 x 250 x 130)
EZAELN3250B121	8.15 x 13.86 x 10.24 (207 x 352 x 260)	–	–	I0FAE411F100D0001S	33.67 x 9.84 x 5.19 (855 x 250 x 130)

Type code description

For fully configured unit ordering

	I	51	AE	125	B	1	0	V	11	001	S																								
Portfolio segment																																			
Product 51 = i510 series 55 = i550 series																																			
Rated power																																			
<table border="0"> <tr> <td>125 = 0.25 kW, 0.33 hp</td> <td>240 = 4.0 kW, 5.0 hp</td> <td>337 = 37.5 kW, 50.0 hp</td> </tr> <tr> <td>137 = 0.37 kW, 0.5 hp</td> <td>255 = 5.5 kW, 7.5 hp</td> <td>345 = 45.0 kW, 60.0 hp</td> </tr> <tr> <td>155 = 0.55 kW, 0.75 hp</td> <td>275 = 7.5 kW, 10.0 hp</td> <td>355 = 55.0 kW, 75.0 hp</td> </tr> <tr> <td>175 = 0.75 kW, 1.0 hp</td> <td>311 = 11.0 kW, 15.0 hp</td> <td>375 = 75.0 kW, 100.0 hp</td> </tr> <tr> <td>211 = 1.1 kW, 1.5 hp</td> <td>315 = 15.0 kW, 20.0 hp</td> <td>390 = 90.0 kW, 125.0 hp</td> </tr> <tr> <td>215 = 1.5 kW, 2.0 hp</td> <td>318 = 18.5 kW, 25.0 hp</td> <td>411 = 110.0 kW, 150.0 hp</td> </tr> <tr> <td>222 = 2.2 kW, 3.0 hp</td> <td>322 = 22.0 kW, 30.0 hp</td> <td></td> </tr> <tr> <td>230 = 3.0 kW, 4.0 hp</td> <td>330 = 30.0 kW, 40.0 hp</td> <td></td> </tr> </table>												125 = 0.25 kW, 0.33 hp	240 = 4.0 kW, 5.0 hp	337 = 37.5 kW, 50.0 hp	137 = 0.37 kW, 0.5 hp	255 = 5.5 kW, 7.5 hp	345 = 45.0 kW, 60.0 hp	155 = 0.55 kW, 0.75 hp	275 = 7.5 kW, 10.0 hp	355 = 55.0 kW, 75.0 hp	175 = 0.75 kW, 1.0 hp	311 = 11.0 kW, 15.0 hp	375 = 75.0 kW, 100.0 hp	211 = 1.1 kW, 1.5 hp	315 = 15.0 kW, 20.0 hp	390 = 90.0 kW, 125.0 hp	215 = 1.5 kW, 2.0 hp	318 = 18.5 kW, 25.0 hp	411 = 110.0 kW, 150.0 hp	222 = 2.2 kW, 3.0 hp	322 = 22.0 kW, 30.0 hp		230 = 3.0 kW, 4.0 hp	330 = 30.0 kW, 40.0 hp	
125 = 0.25 kW, 0.33 hp	240 = 4.0 kW, 5.0 hp	337 = 37.5 kW, 50.0 hp																																	
137 = 0.37 kW, 0.5 hp	255 = 5.5 kW, 7.5 hp	345 = 45.0 kW, 60.0 hp																																	
155 = 0.55 kW, 0.75 hp	275 = 7.5 kW, 10.0 hp	355 = 55.0 kW, 75.0 hp																																	
175 = 0.75 kW, 1.0 hp	311 = 11.0 kW, 15.0 hp	375 = 75.0 kW, 100.0 hp																																	
211 = 1.1 kW, 1.5 hp	315 = 15.0 kW, 20.0 hp	390 = 90.0 kW, 125.0 hp																																	
215 = 1.5 kW, 2.0 hp	318 = 18.5 kW, 25.0 hp	411 = 110.0 kW, 150.0 hp																																	
222 = 2.2 kW, 3.0 hp	322 = 22.0 kW, 30.0 hp																																		
230 = 3.0 kW, 4.0 hp	330 = 30.0 kW, 40.0 hp																																		
Voltage & phase																																			
<p>A = AC 120V 1/N/PE (no integrated EMC filter) B = AC 230V 1/N/PE C = AC 230V 3/PE (no integrated EMC filter) D = AC 230V 1/N/PE, 2/PE, 3/PE (no integrated EMC filter) F = 400/480V 3/PE</p>																																			
Safety technology																																			
<p>0 = No safety technology A = Integrated safe torque off (STO) <i>(STO can only be configured with a complete i550 inverter; control unit & power unit)</i></p>																																			
Enclosure/protection																																			
V = IP20, conformal coated																																			
"11" applies to 230V 1-Phase and 400/480V 3-Phase only for integrated EMC Filter. 230V 1/3-Phase will use "01"																																			
I/O, fieldbus variations																																			
<p>i510: 000 = Basic I/O 001 = Basic I/O + CANopen/Modbus RTU</p> <p>i550: 000 = Standard I/O 001 = Application I/O 002 = Standard I/O + CANopen 003 = Standard I/O + Modbus RTU 00W = Standard I/O + Modbus TCP/IP</p> <p>004 = Standard I/O + Profibus 00K = Standard I/O + EtherCat 00L = Standard I/O + Profinet 00M = Standard I/O + EtherNet/IP 012 = Standard I/O + POWERLINK</p>																																			

Lenze Drives GmbH
Postfach 10 13 52
D-31763 Hameln
Germany
Phone +49 05154 82-0
Fax +49 05154 82-2800
Mail Lenze@Lenze.com
Web www.Lenze.com

Lenze Americas
630 Douglas Street
Uxbridge MA 01569

Phone 800 217-9100
Mail techsupport.us@lenze.com
Web www.Lenze.com