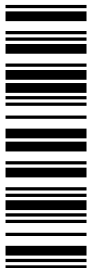


MA\_p500  
13491352

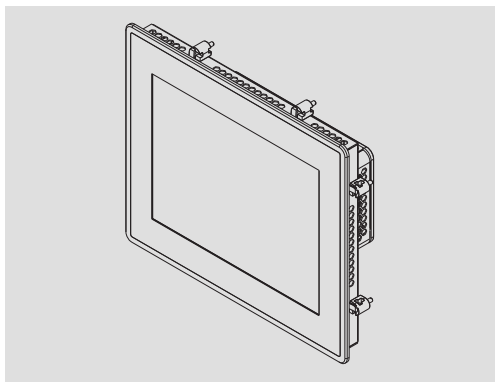


# L-force Controls

安装指导

Mounting Instructions

基于控制器的自动化



Controller p500

面板控制器

**Lenze**

## Approval

Underwriter Laboratories (UL), UL508 and CSA C22.2 No. 142-M1987, (UL File Number E236341)

## Ratings

- ▶ Input 24 V DC, max. 1.7 A
- ▶ Max. Surrounding temperature:
  - P500 7: 55 °C, in vertical (landscape or portrait) mounting position only at relative humidity of 60%rh with a linear derating to 30°C at 90%rh.
  - P500 10,4: 55°C in vertical (landscape or portrait)mounting position only at a relative humidity of 55%rh with a linear derating to 40°C at 90%rh.
  - P500 15,0: 55°C in vertical (landscape or portrait)mounting position only at a relative humidity of 45%rh with a linear derating to 40°C at 90%rh.
- ▶ These devices are intended for mounting in the outer surface of an enclosure, Type 1, 4 and 4X indoor use only.



## Warnings!

### Field Wiring Markings

Wiring Terminal MSTB 2,5/3-STF-5,08:

- ▶ Use 60° or 60/75° C copper wire only.
- ▶ AWG 18 ... AWG 12 (0.82 mm<sup>2</sup>... 3.3 mm<sup>2</sup>)
- ▶ Torque 5...7 lb-in (0.5 ... 0.6 Nm)

### Device

- ▶ For use in a pollution degree 2 and controlled environment only.
- ▶ For use on a Flat Surface of a Type 1, 4 and 4x Indoor Use Only Enclosure

### Optional filed bus module

- ▶ Use only together with appropriate cable connectors, provided with screws for securement and secure connector to avoid loosening.



开始工作前，请阅读p500面板控制器的操作指导。这些指导中包含一些额外的重要信息，例如：

- ▶ 供货范围
- ▶ 按规定使用
- ▶ 设备的识别
- ▶ 技术数据
- ▶ 电气安装
- ▶ 运行
- ▶ 维护

Lenze产品的相关文档和工具可至我们官网的下载区查找：

<http://www.Lenze.com>

- ▶ 为防止损坏电子元件，请务必在关闭电源的情况下安装或拆卸设备。
- ▶ 安全位置必须始终满足技术数据中所规定的运行条件。如有需要，可采取额外措施。
- ▶ 安装处需确保持续充足的空气流通，以确保设备的必要热耗散。请确保通风槽不会被遮盖。
- ▶ 选择安装地点时，确保屏幕处于一个合适的已考虑人体工学的位置，且光线不会反射到屏幕上。
- ▶ 在安装过程中，需注意控制器可能会滑出安装截面。因此，在所有螺丝夹都已安装完成之前，请注意固定好控制器，防止其滑落。
- ▶ 在装配过程中，前框的垫片是暴露在外的，可能会受到损坏。
  - 在装配过程中，小心处理垫片。
  - 注意垫片需防紫处线。
  - 检查垫片，确保在你安装设备之前垫片未受损。
- ▶ 设备应安全紧固在安装截面上。前面板密封应正确安装。否则，设备正面将无法实现IP65的防护等级！
- ▶ L-force控制器背部的散热器在运行过程中会发热，因此可能存在烧伤危险！
  - 在进行设备操作前，请检查其散热器的温度。



Before starting work, read the operating instructions for the p500 panel controller. These instructions provide additional important information such as:

- ▶ the scope of supply
- ▶ application as directed
- ▶ identification of the devices
- ▶ technical data
- ▶ electrical installation
- ▶ operation
- ▶ maintenance

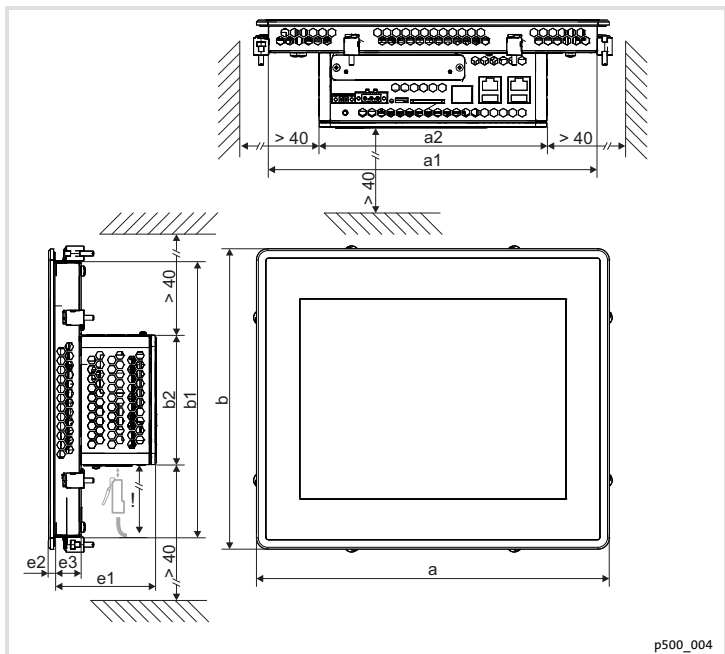
Documentation and tools for Lenze products can be found in the download section of our website at

**<http://www.Lenze.com>**

- ▶ To prevent damage to electronic components, only mount/remove the device with the voltage supply switched off.
- ▶ The mounting location always must correspond to the operating conditions specified in the technical data. If required, take additional measures.
- ▶ Continuous and adequate air circulation is essential in the installation space so that the devices heat is correctly dissipated. Make sure that the ventilation slots are never covered.
- ▶ When choosing the installation location, ensure that the screen is in an ergonomically suitable position and that light is unable to cause irritating reflections on the screen.
- ▶ During installation, there is a danger that the controller will fall out of the mounting cutout. You should therefore secure it to prevent this happening until all screw clamps have been fitted.
- ▶ During mounting, the gasket of the front frame is exposed and can be damaged.
  - Handle the gasket with care during mounting.
  - Protect the gasket against ultraviolet rays.
  - Check the gasket to make sure it is undamaged before you install the device.
- ▶ The device must be securely seated in the mounting cutout and the front panel seal must be correctly fitted. Otherwise, class of protection IP65 will not be achieved on the front side of the device!
- ▶ The heat sink on the rear of the L-force controller becomes very hot during operation. There is therefore a risk of burns!
  - Before working on the device, check the temperature of its heat sink.

# 尺寸

## Dimensions

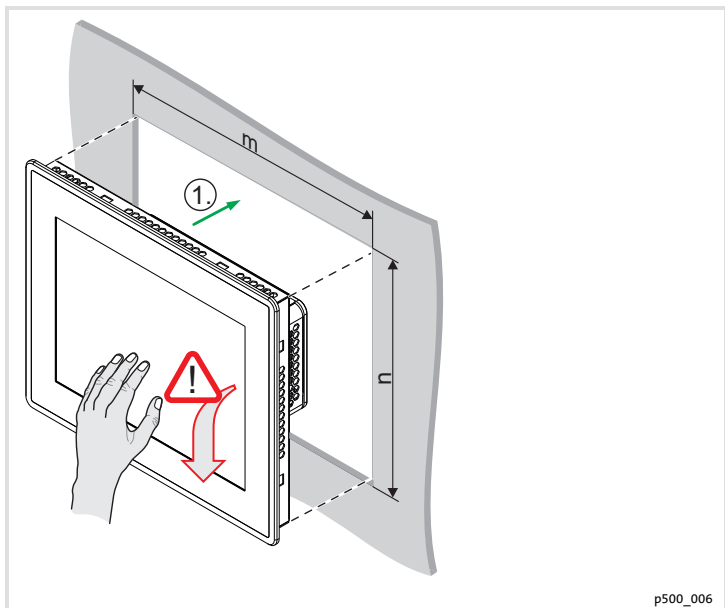


p500\_004

	a	a1	a2	b	b1	b2	e1	e2	e3
	[mm]								
p500, 17.8 cm (7")	210.0	190.6	182.0	155.0	135.6	104.0	82.0	4.0	22.0
p500, 26.4 cm (10.4")	282.0	262.6		240.0	220.6		82.0	4.0	22.0
p500, 38.1 cm (15")	390.0	370.8		310.0	290.6		87.0	6.0	27.0

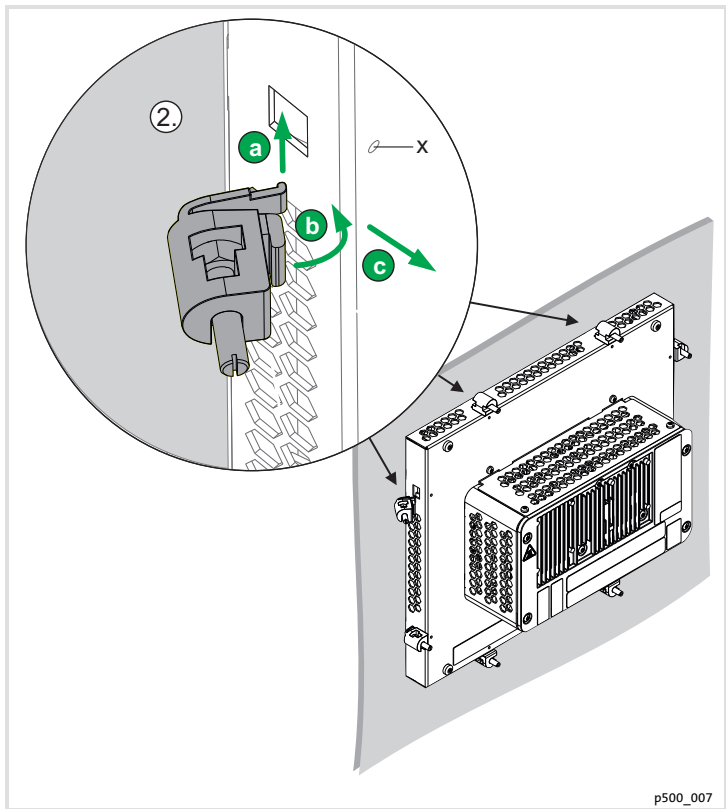
## 安装

## Mounting

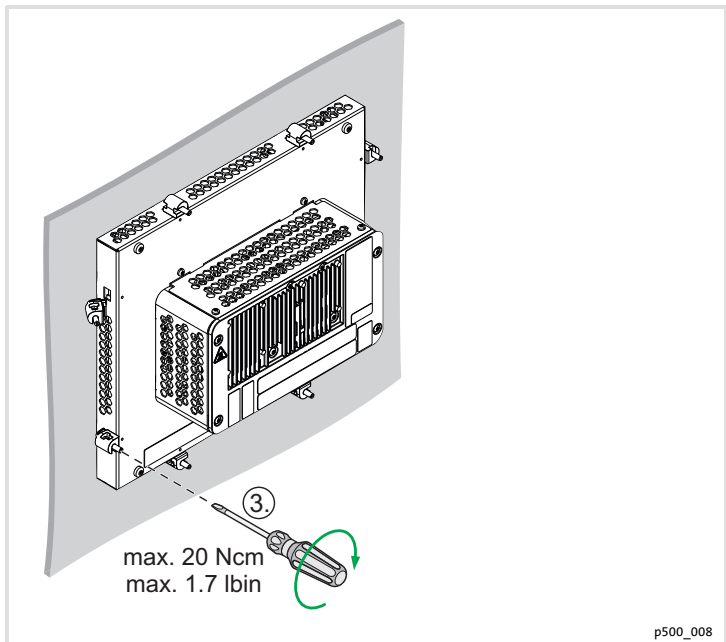


p500\_006

	<b>m</b>	<b>n</b>
	[mm]	
p500, 17.8 cm (7")	194	139
p500, 26.4 cm (10.4")	266	224
p500, 38.1 cm (15")	374	294



- x 螺丝夹的定位辅件
- x Positioning aid for screw clamps









© 05/2015



Lenze Automation GmbH  
Postfach 10 13 52, 31763 Hameln  
Hans-Lenze-Str. 1, 31855 Aerzen  
GERMANY  
HR Hannover B 205381



+49 5154 82-0



+49 5154 82-2800



lenze@lenze.com



www.lenze.com

Service Lenze Service GmbH  
Breslauer Straße 3, D-32699 Extertal  
  
Germany



008000 2446877 (24 h helpline)



+49 5154 82-1112



service@lenze.com

MA\_p500 ■ 13491352 ■ ZH/EN ■ 2.0 ■ TD29

10 9 8 7 6 5 4 3 2 1