

Roller Conveyor Outline 5200

Lenze Smart Products

RCO-5200



Solved with

- Bevel gearbox g500-B450
- Lenze Smart Motor m300-MXXMAXX 080-32

Characteristics

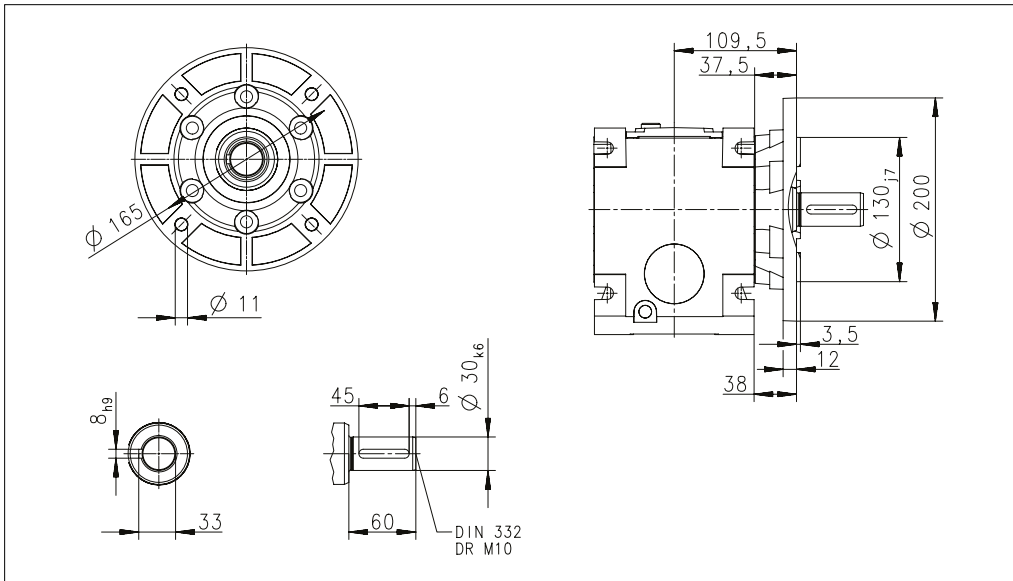
Application parameters		Construction data	
Maximum payload	5,200 kg	Effective circular diameter of double sprocket Inner diameter	14 teeth (d_0 71.34 mm) 30 H7 with featherkey
Cycle time	Up to 300 units/h	Chain acc. to DIN8187, ISO 606	10B-1
Max. acceleration	0.5 m/s ²	Chain laying	Single chains, from roller to roller
Conveyor speed range (setting values)	0.11 – 0.5m/s (25.2 – 115 1/min)	Max. loading point	Solid shaft end
Conveyor speed (setting values)	0.5 m/s (115 1/min)	Carrying roller • Diameter • Double sprocket	89 mm 15 teeth (d_0 76.35 mm)
		Solid shaft diameter Solid shaft length	30 _{k6} 60 mm
		Shaft-hub joint	Featherkey – 8 _{h9}
		Flange diameter Pitch circle diameter	200 mm 4 x 165 mm
		Mounting position	universal
		Weight	27.8 kg

General ambient conditions		Electromechanical properties of the drive solution	
Temperature ranges	0 – 40 °C	El. connection system • Power (type) • Control signals (type)	• 3 x 400V up to 480V (via QuickOn) • 2 x M12 (4pol, A-coded, plug)
Approvals	CE, UL, CSA, EAC, CCC	Brake resistor	integrated
Degree of protection	IP55	Electromechanical brake	none
Surface	Aluminium (unpainted)		

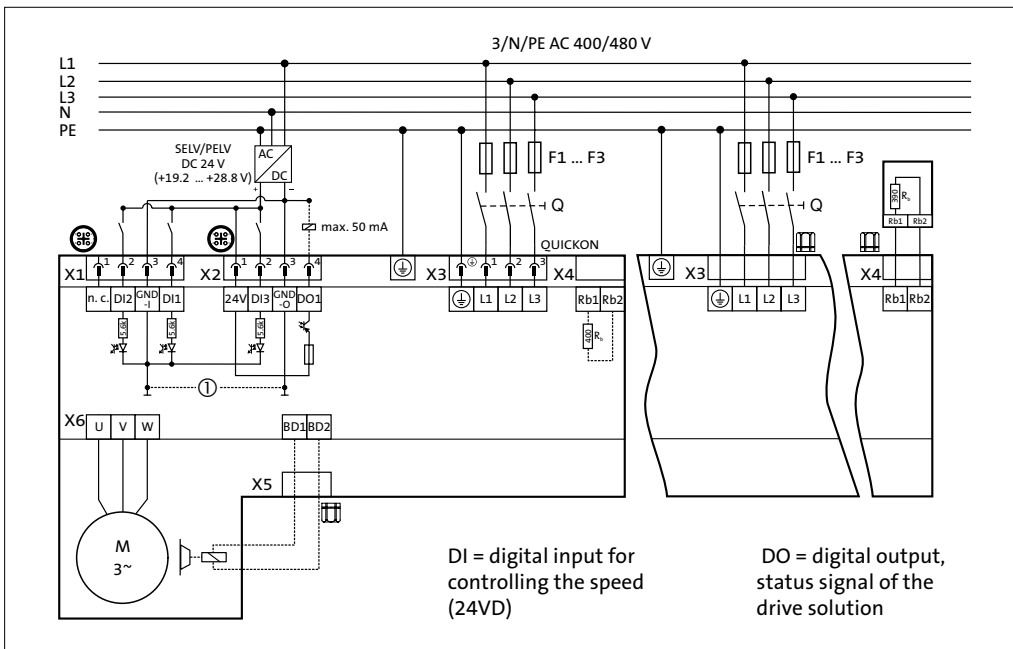
Roller Conveyor Outline 5200

Lenze Smart Products

Fixing dimensions



Electrical connection plan



More details

CAD file	E-Plan Makro	Design basis	Mounting instructions	App Lenze Smart Motor	PC connection Lenze Smart Motor
