

Chain Conveyor Inline 5200

Lenze Smart Products

CCI-5200



Solved with

- Shaft-mounted helical gearbox g500-S660
- Three-phase AC motors m550-P100M4
- Inverter Drives 8400 motec 4.0 kW

Characteristics

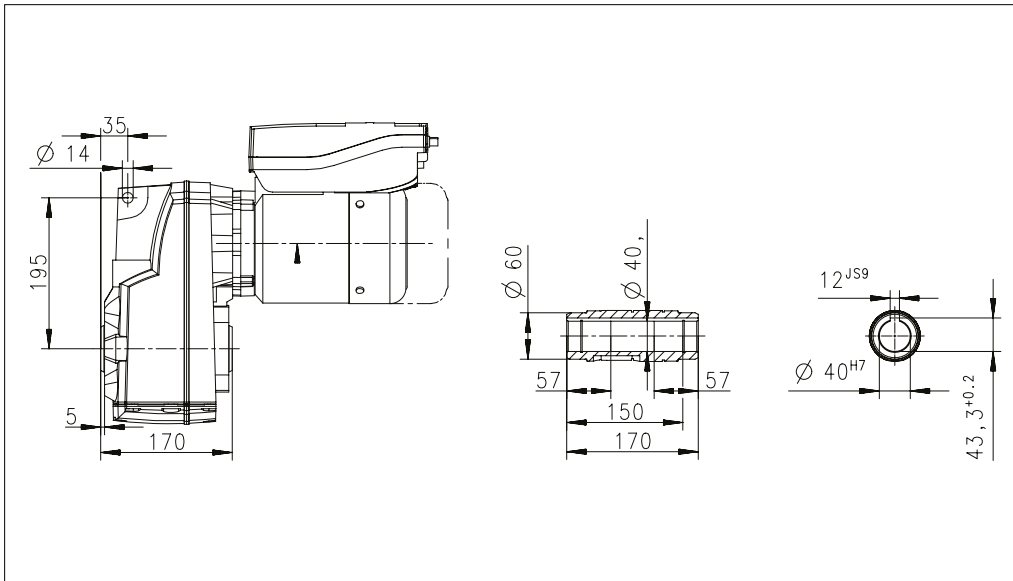
Application parameters		Construction data	
Maximum payload	5,200 kg	Chain acc. to DIN8187, ISO 606	10B-2
Cycle time	Up to 300 units/h	Effective circular diameter of chain pinion	91.42 mm (18 teeth)
Max. acceleration	0.5 m/s ²	Reduction gearing	1 : 1
Conveyor speed range (setting values)	0.11 – 0.5m/s (19.2 – 88.1 %)	Hollow shaft diameter	40 H7
Conveyor speed (setting values)	0.5 m/s (88.1 %)	Shaft-hub joint	Featherkey (8 ^{JS9})
Number of chain strands	2 or 3 strands	Diameter of torque plate bore hole	14 mm
		Mounting position	universal
		Weight of the drive	50 kg

General ambient conditions		Electromechanical properties of the drive solution	
Temperature ranges	0 – 40 °C	El. connection system	
		• Power (type)	• 3 x 400V up to 480V (via QuickOn)
		• Control signals (type)	• 2 x M12 (4pol, A-coded, plug)
Approvals	CE, UL, CSA, EAC, CCC	Brake resistor	integrated
Degree of protection	IP55	Electromechanical brake	none
Surface	Aluminium (unpainted)		

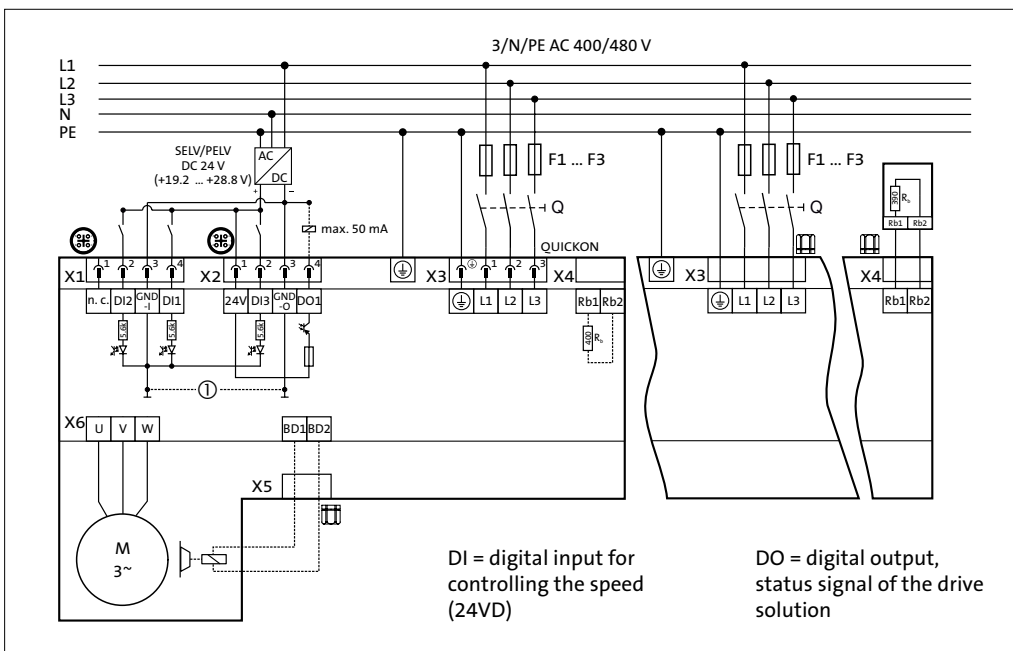
Chain Conveyor Inline 5200

Lenze Smart Products





Fixing dimensions



Electrical connection plan



More details

CAD file	E-Plan Makro	Design basis	Mounting instructions	PC connection Easy Starter
 CAD	 E-Plan Makro	 Design basis	 MA	