

# Chain Conveyor Inline 1300

Lenze Smart Products

## CCI-1300



### Solved with

- Shaft-mounted helical gearbox g500-S220
- Lenze Smart Motor m300-MXXMAXX 080-32

### Characteristics

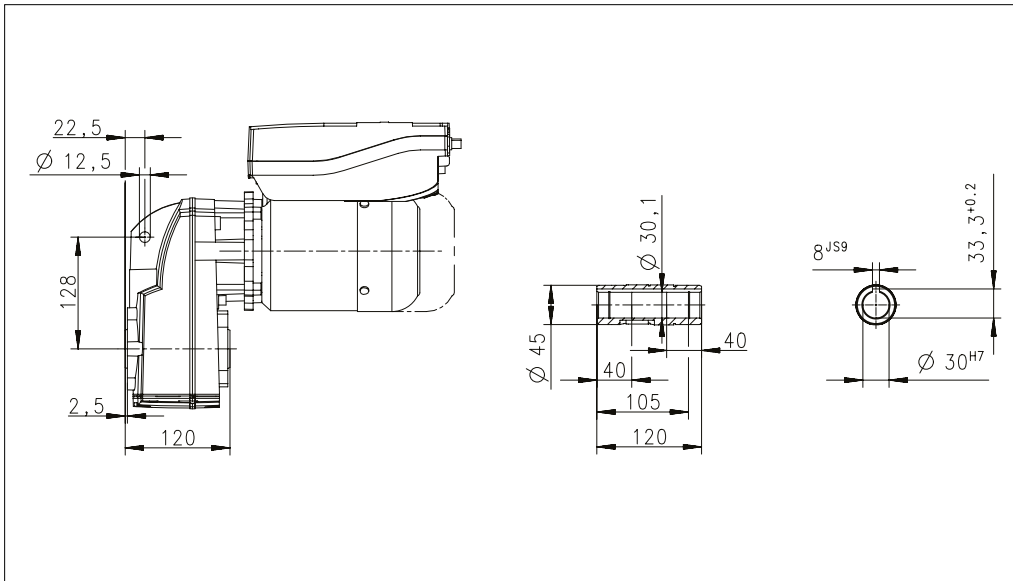
Application parameters		Construction data	
Maximum payload	1,300 kg	Chain acc. to DIN8187, ISO 606	10B-2
Cycle time	Up to 300 units/h	Effective circular diameter of chain pinion	91.42 mm (18 teeth)
Max. acceleration	0.5 m/s <sup>2</sup>	Reduction gearing	1 : 1
Conveyor speed range (setting values)	0.1 – 0.5m/s (21.7 – 105 1/min)	Hollow shaft diameter	30 H7
Conveyor speed (setting values)	0.5 m/s (105 1/min)	Shaft-hub joint	Featherkey (8 <sup>JS9</sup> )
Alignment speed up to 1,300 kg (setting values)	0.1 m/s (21.7 1/min)	Diameter of torque plate bore hole	12.5 mm
Number of chain strands	2 or 3 strands	Mounting position	universal
		Weight of the drive	20.1 kg

General ambient conditions		Electromechanical properties of the drive solution	
Temperature ranges	0 – 40 °C	El. Anschluss technik • Power (type) • Control signals (type)	• 3 x 400V up to 480V (via QuickOn) • 2 x M12 (4pol, A-coded, plug)
Approvals	CE, UL, CSA, EAC, CCC	Brake resistor	integrated
Degree of protection	IP55	Electromechanical brake	none
Surface	Aluminium (unpainted)		

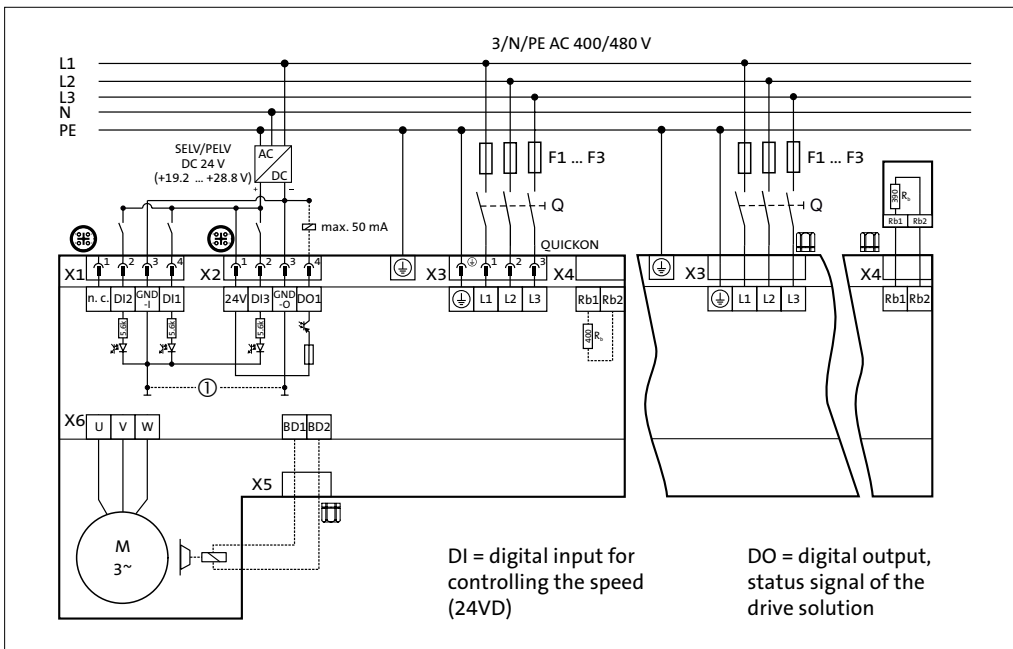
# Chain Conveyor Inline 1300

Lenze Smart Products

## Fixing dimensions



## Electrical connection plan



## More details

CAD file	E-Plan Makro	Design basis	Mounting instructions	App Lenze Smart Motor	PC connection Lenze Smart Motor
