

MA 3241C
13469795

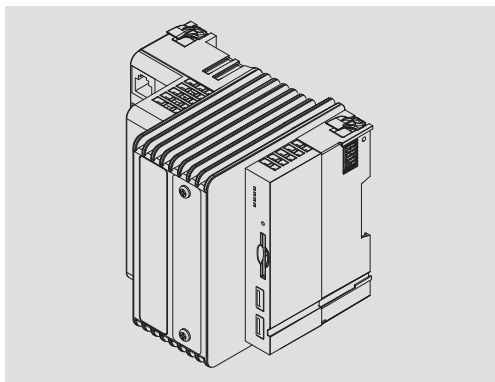


L-force Controls

安装指导

Mounting Instructions

3200 C



E32GAC...

3221 C, 3231 C, 3241 C

Lenze

**停止！**

仅在未施加电压时进行安装/拆卸，以保护电子元件免受损坏。

**危险！****运行时表面放热**

运行过程中，位于设备背部的散热器会变热。

可能产生的后果:

- ▶ 触摸散热器时导致灼伤。
- ▶ 如果散热器靠近或接触易燃材料，则会发生火灾或阴燃。

保护措施:

- ▶ 操作本设备前，请检查散热器温度。
- ▶ 选择合适的安装位置，以便始终确保技术数据中规定的运行条件。

**注释!**

位于设备背部，有两个GapPad垫片，用于热连接设备至DIN导轨。GapPad垫片必须在20+次循环或出现缺陷(□设备操作指导书)之后进行更换!



使用前，请先阅读本文档和设备操作指导书。

与伦茨产品相关的文档和工具，请通过下载区 <http://www.Lenze.com>
<http://www.Lenze.com>

**Stop!**

Only carry out mounting/dismounting when no voltage is applied in order to protect electronic components from damage.

**Danger!****Hot surface during operation**

The heatsink at the back of the device gets very hot during operation.

Possible consequences:

- ▶ Burns when touching the heatsink.
- ▶ Fire or smouldering fire if flammable material is placed near the heatsink or may get to it.

Protective measures:

- ▶ Before working on the device, check its heatsink temperature.
- ▶ Select the mounting location so that the operating conditions mentioned in the technical data are permanently guaranteed.

**Note!**

At the back of the device, there are two GapPad strips. These strips serve to thermally connect the device to the DIN rail. The GapPad strips must be replaced after 20 plug cycles or if they are defective (📖 operating instructions for the device)!



Read this documentation and the operating instructions for the device before you start working.

Documentation and tools around the Lenze products can be found in the download area at

<http://www.Lenze.com>



Approval

Underwriter Laboratories (UL), UL508 and CSA C22.2 No. 142-M1987, (UL File Number E236341)

Ratings

- ▶ Input 24 V DC, max. 1.7 A
- ▶ Max. Surrounding temperature:
 - 45 °C, vertical (upright) mounting
 - 50 °C, horizontal mounting



Warnings!

Field Wiring Markings

Wiring Terminal MSTB 2.5/3-STF-5.08:

- ▶ Use Copper Wire only.
- ▶ AWG 18 ... 12 (0.82 ... 3.3 mm²)
- ▶ Torque 5 ... 7 lb-in (0.5 ... 0.6 Nm)

Device

- ▶ These devices are open type programmable controllers, provided with housing for use in pollution degree 2 and controlled environment only.
- ▶ For use in max. surrounding temperature:
 - 45 °C, vertical (upright) mounting
 - 50 °C, horizontal mounting

Optional filed bus module

- ▶ Use only together with appropriate cable connectors, provided with screws for securement and secure connector to avoid loosening.



Homologation

Underwriter Laboratories (UL), UL508 et CSA C22.2 n° 142-M1987, (n° de dossier UL E236341)

Caractéristiques assignées

- ▶ Entrée 24 V CC, maximum 1.7 A
- ▶ Température ambiante maximale :
 - 45 °C, montage vertical
 - 50 °C, montage horizontal



Warnings!

Marquage du câblage à pied d'oeuvre

Bornier de câblage MSTB 2.5/3-STF-5.08 :

- ▶ Utiliser exclusivement des conducteurs en cuivre.
- ▶ AWG 18 ... 12 (0.82 ... 3.3 mm²)
- ▶ Couple de 5 ... 7 lb-in (0.5 ... 0.6 Nm)

Appareil

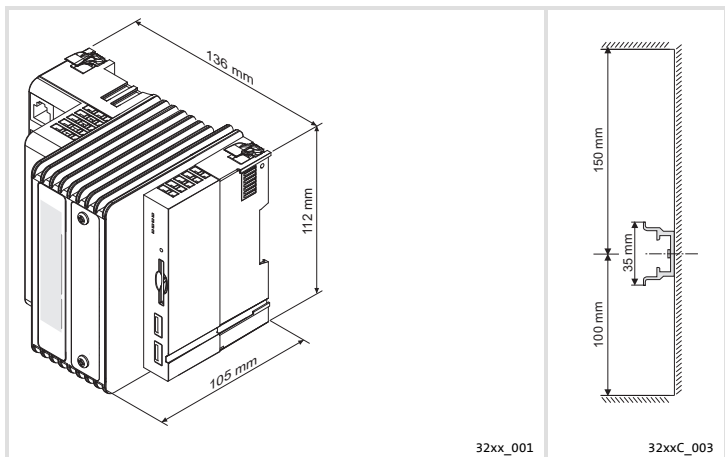
- ▶ Ces appareils sont des contrôleurs programmables à circuit ouvert avec un coffret de protection destinés uniquement à un environnement contrôlé caractérisé par le degré de pollution 2.
- ▶ Températures ambiantes maximales admissibles :
 - 45 °C, montage vertical
 - 50 °C, montage horizontal

Module bus en option

- ▶ A utiliser exclusivement avec des connecteurs de câble à vis adaptés. Fixer les connecteurs pour éviter toute déconnexion.

尺寸

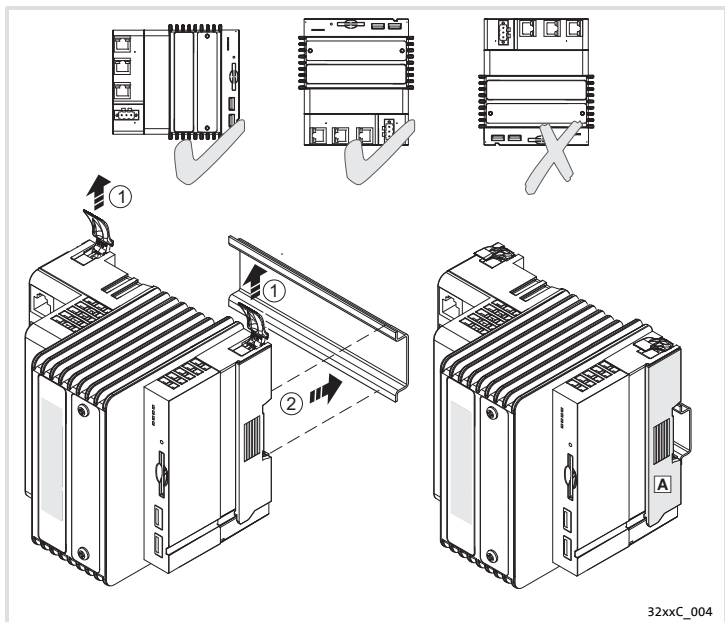
Dimensions



安装

Mounting

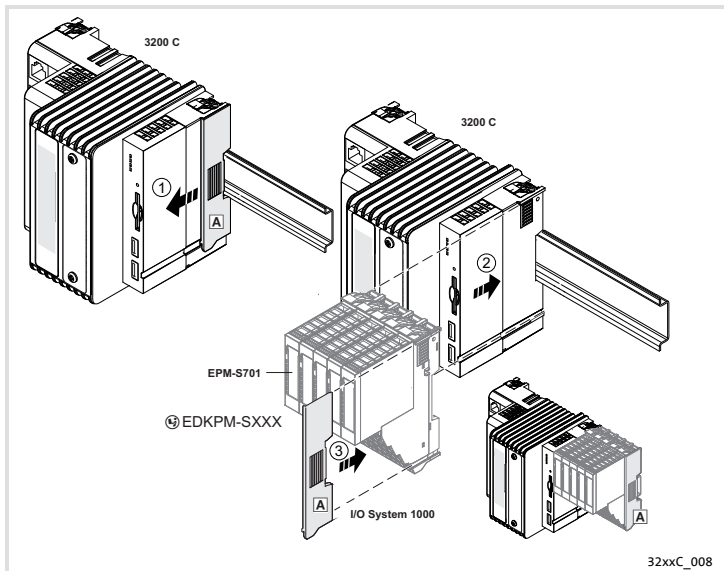
3200 C:



始终盖好保护盖 **A**!

Always attach the cover **A**!

I/O System 1000:

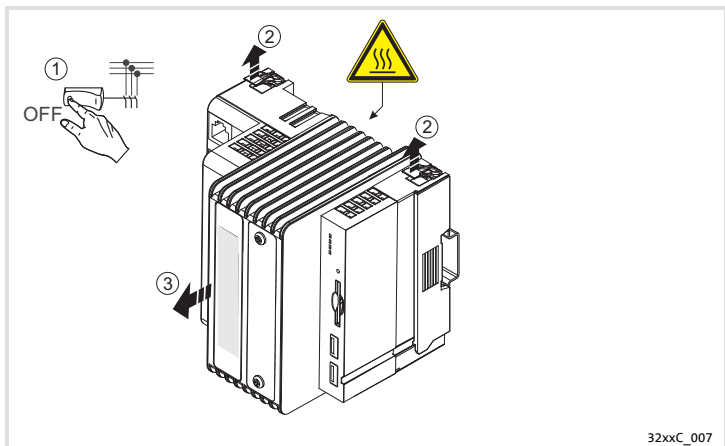


始终盖好保护盖 **A**!

Always attach the cover **A**!

拆卸

Dismounting





© 09/2014



Lenze Automation GmbH
Postfach 10 13 52, D-31763 Hameln
Hans-Lenze-Str. 1, D-31855 Aerzen
Germany



+49 5154 82-0



+49 5154 82-2800



lenze@lenze.com



www.lenze.com

Service Lenze Service GmbH
Breslauer Straße 3, D-32699 Extertal



Germany
008000 2446877 (24 h helpline)



+49 5154 82-1112



service@lenze.com

MA_3241C ■ 13469795 ■ ZH/EN ■ 3.1 ■ TD00

10 9 8 7 6 5 4 3 2 1