

Ready, set, go.



Lenze is a driving force behind Industry 4.0 – and your machine.

Our open standards and interfaces enable well-coordinated interaction between machine and machine modules, even beyond the boundaries of your system.

Lenze's intelligent products make decentralized solutions readily available for more efficiency and flexibility.

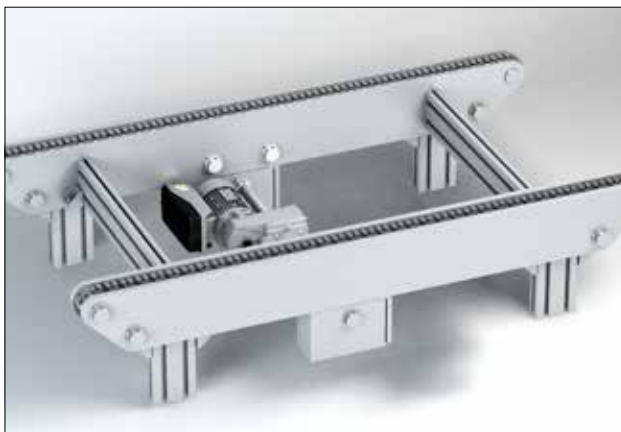
Are you looking to ...

- Find an easy solution that can be integrated into your machine?
- Save time and costs?
- Resolve defects and problems quickly?
- Improve speed and simplify delivery?
- Streamline processes for the creation of your machine?
- Satisfy all requirements for the energy efficiency class of your machine?
- Use your solution worldwide?

... then Lenze Smart Products are exactly what you are looking for.

Benefit from drive solutions that have been tried and tested thousands of times in horizontal materials-handling systems. Our ready-made modules can be tailored to your tasks exactly as needed.

- **For chain conveyors**
- **For roller conveyors**
- **Inline and Outline versions**
- **Up to 11,460 lbs (5,200 kg)**



Example: Chain Conveyor Inline



Example: Roller Conveyor Outline

You have the choice – We have the solution.

1. Choose the conveyor system

Conveying speed of 20 to 100 fpm (0.1 to 0.5 m/s) with a throughput rate of 300 units per hour and universal mounting position

Chain Conveyor

Roller Conveyor

2. Choose the version

Outline

Built-on version for easy mounting and maintenance concept

Inline

Integrated into the machine frame as a low-cost solution with minimal interfering contours

3. Choose the payload

up to 2,800 lbs (1,300 kg)

up to 4,400 lbs (2,000 kg)

up to 5,730 lbs (2,600 kg)

up to 8,800 lbs (4,000 kg)

up to 11,460 lbs (5,200 kg)

... and that's it

An overview of the Lenze Smart Products.

	Chain Conveyor Inline (CCI)	Chain Conveyor Outline (CCO)		Roller Conveyor Inline (ROI)	Roller Conveyor Outline (RCO)
up to 2,800 lbs (1,300 kg)	Lenze Smart Product CCI-1300	Lenze Smart Product CCO-1300	up to 4,400 lbs (2,000 kg)	Lenze Smart Product RCI-2000	Lenze Smart Product RCO-2000
up to 5,730 lbs (2,600 kg)	Lenze Smart Product CCI-2600	Lenze Smart Product CCO-2600	up to 8,800 lbs (4,000 kg)	Lenze Smart Product RCI-4000	Lenze Smart Product RCO-4000
up to 8,800 lbs (4,000 kg)	Lenze Smart Product CCI-4000	Lenze Smart Product CCO-4000	up to 11,460 lbs (5,200 kg)	Lenze Smart Product RCI-5200	Lenze Smart Product RCO-5200
up to 11,460 lbs (5,200 kg)	Lenze Smart Product CCI-5200	Lenze Smart Product CCO-5200			

Your benefits at a glance.

Simple engineering

- Construction plan with complete technical information
- Optimized functions in accordance with applicable industrial standards
- Drive function optimized for greater energy efficiency, tailored to meet current and future requirements
- Easy integration into the tried-and-tested safety concept with two mains contactors
- Wide mains voltage range for use worldwide

Easy commissioning

- Integrated motor, equipment contactor and brake resistor without complicated wiring
- Connection to mains supply without tools
- Connection and parameterization with the housing closed
- Standardized control inputs

Long service life

- The design process is based on many years of experience in materials-handling systems which provides robust and long-lasting solutions
- Low-wear brake control at a standstill
- Multiple options for optimum maintenance and minimal interfering contours

Lenze Smart Products – Everything you need.

You have found your Lenze Smart Products quickly. Now, all you have to do is continue with the Lenze product name.



All information and data is available for download on our website .

Product information

- Key data
- Mounting dimensions
- Electrical connection plan

Engineering data

- CAD drawing
- E-PLAN macros
- Basics of the design
- Mounting instructions

Engineering tools

- App
- PC connection

www.Lenze.com