

Roller Conveyor Inline 4000

Lenze Smart Products

RCI-4000



Solved with

- Helical gearbox g500-H320
- Lenze Smart Motor m300-MXXMAXX 080-32

Characteristics

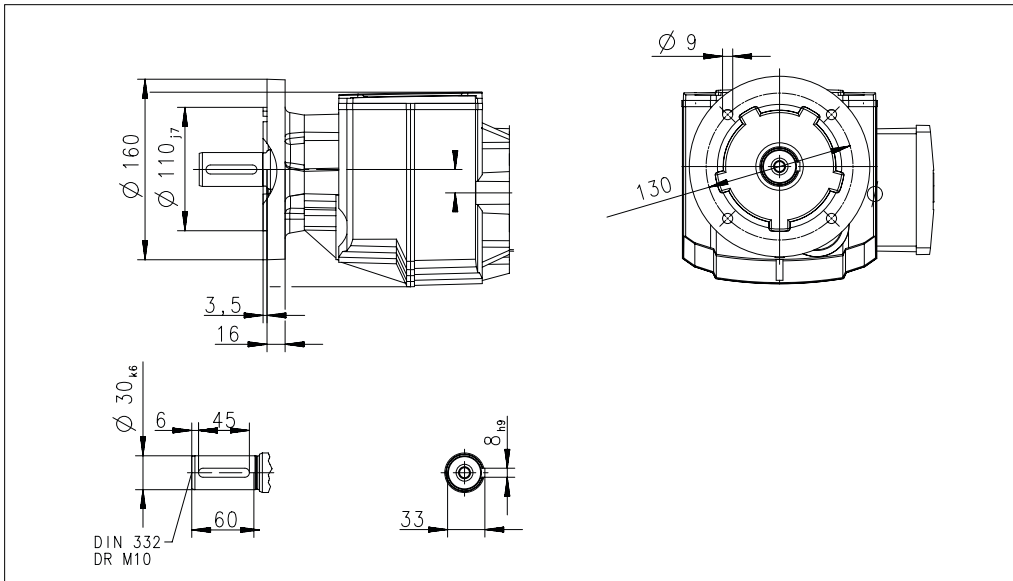
Application parameters		Construction data	
Maximum payload	4,000 kg	Chain acc. to DIN8187, ISO 606	10B-1
Cycle time	Up to 300 units/h	Effective circular diameter of double sprocket Inner diameter	14 teeth (d ₀ 71.34 mm) 30 H7 with featherkey
Max. acceleration	0.5 m/s ²	Chain laying	Single chains, from roller to roller
Conveyor speed range (setting values)	0.1 – 0.5m/s (24.1 – 115 1/min)	Max. loading point	Solid shaft end
Conveyor speed (setting values)	0.5 m/s (115 1/min)	Carrying roller • Diameter • Double sprocket	89 mm 15 teeth (d ₀ 76.35 mm)
Alignment speed up to 1,300 kg (setting values)	0.1 m/s (24,1 1/min)	Solid shaft diameter Solid shaft length	30 _{v6} 60 mm
		Shaft-hub joint	Featherkey – 8 _{h9}
		Flange diameter Pitch circle diameter	160 mm 4 x 130 mm
		Mounting position	universal
		Weight	25 kg

General ambient conditions		Electromechanical properties of the drive solution	
Temperature ranges	0 – 40 °C	El. connection system • Power (type) • Control signals (type)	• 3 x 400V up to 480V (via QuickOn) • 2 x M12 (4pol, A-coded, plug)
Approvals	CE, UL, CSA, EAC, CCC	Brake resistor	integrated
Degree of protection	IP55	Electromechanical brake	none
Surface	Aluminium (unpainted)		

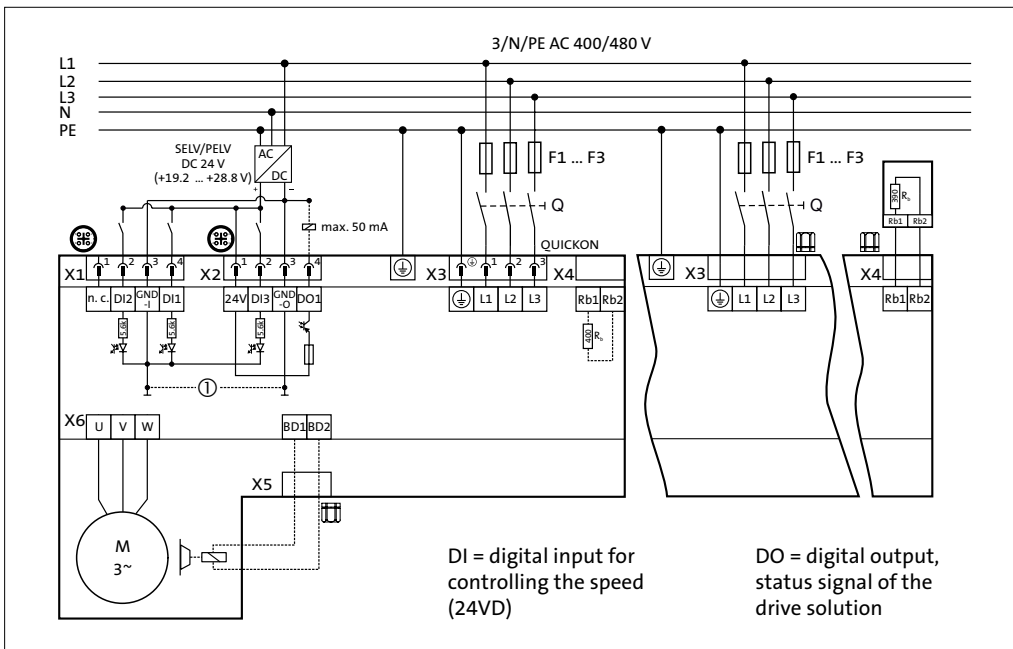
Roller Conveyor Inline 4000

Lenze Smart Products

Fixing dimensions



Electrical connection plan



More details

CAD file	E-Plan Makro	Design basis	Mounting instructions	App Lenze Smart Motor	PC connection Lenze Smart Motor
