



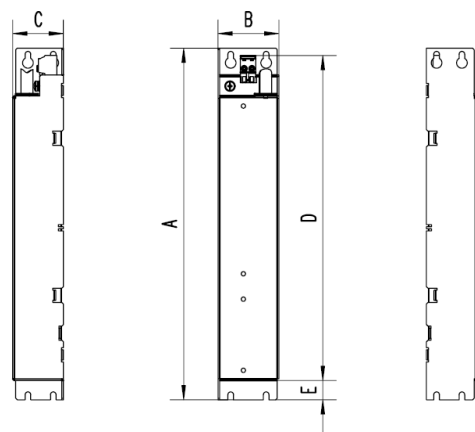
Typennummer			
RFI Filter	I0FAExxxx100Xxxxxx	Filter Typ	1~ RFI Filter
			3~ RFI Filter
			I0FAExxxB100XxxxxS
			I0FAExxxF100XxxxxS

Technische Daten							
Typ		...E175B...	...E222B...	...E175F...	...E222F...	...E255F...	...E311F...
Phasenzahl		1		3			
Bemessungsspannung	[V]	240		400/480			
Bemessungsstrom	[A]	10.00	22.50	3.30/2.75	7.80/6.50	18.00/15.00	29.00/24.16
Typ		...100S...	...100D...	...100L...	...100S...	...100D...	...100S... ...100D...
Ableitstrom	[mA]	>3.5	≤3.5	>3.5			
Bemessungsfrequenz	[Hz]	50 / 60					
Prüfspannung	[V-]	2700					

Mechanische Daten								
Diagramm		1						
Abmessungen	A	[mm] [in]	276 10.9	346 13.6	276 10.9	346 13.6	346 13.6	371 14.6
	B	[mm] [in]	60 2.4			90 3.5		120 4.7
	C	[mm] [in]	50 2.0			60 2.4		
	D	[mm] [in]	225 8.9	320 12.6	225 8.9	296 11.7	320 12.6	325 12.8
	E	[mm] [in]	19 0.7					
Gewicht (netto)	[kg]	1.0	1.4	0.9	1.1	2.2	2.5	

Betriebsbedingungen	
Schutzart	IP 20 / NEMA Typ 1
Umgebungstemperatur	+40°C / +104°F
Klimaklasse	3K3 [in Übereinstimmung mit EN 60721-3-3]
Norm	EN 60939-2
Vibration	SINUS: 2M2 [EN60721-3-2], EN61800-5-1

Sicherheitshinweise	
	Hoher Ableitstrom: Festinstallation und PE-Anschluss nach EN 61800-5-1 oder EN 60204-1 ausführen!
	Gefährliche elektrische Spannung: Vor Arbeiten am Inverter überprüfen, ob alle Leistungsanschlüsse spannungslos sind!



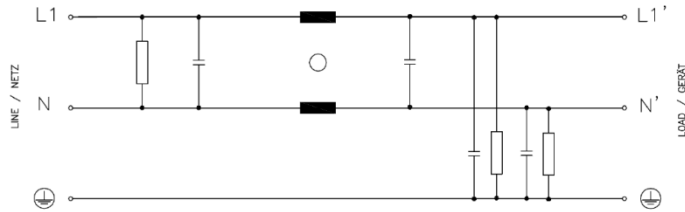
D: Abmessung (bis zur Klemme)

Diagramm 1

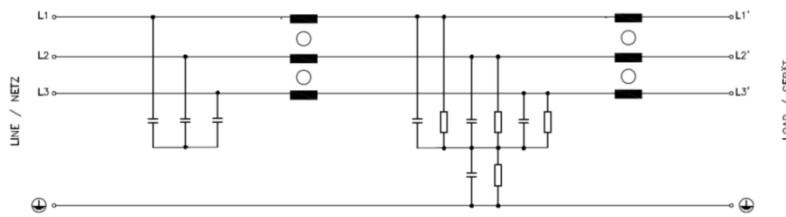
Benennung/ Name of drawing/ Nom du plan: MA Filter I0FAExxx	Datei/ File/ Fichier: 2345021_MA_RFI_Filter_I0FAExxx_06.docx
Zeichnungsnummer/ Drawing no./ Numéro de plan: 2345021 - 06	Page 1/12

Prinzip Schaltbild:

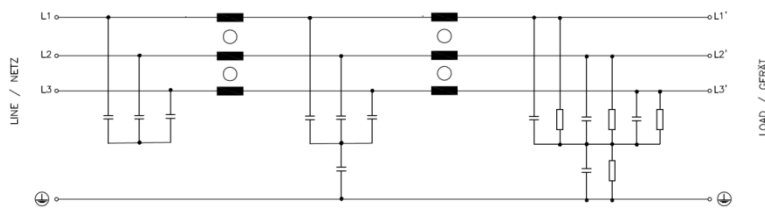
I0FAExxxB100SxxxxS / I0FAExxxB100DxxxxS: 1~ RFI Filter



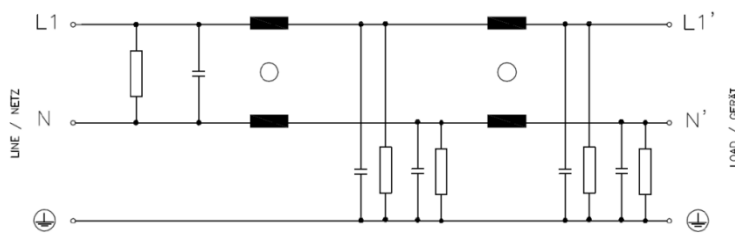
I0FAE175F100SxxxxS / I0FAE222F100SxxxxS / I0FAExxxF100DxxxxS: 3~ RFI Filter



I0FAE255F100SxxxxS / I0FAE311F100SxxxxS : 3~ RFI Filter



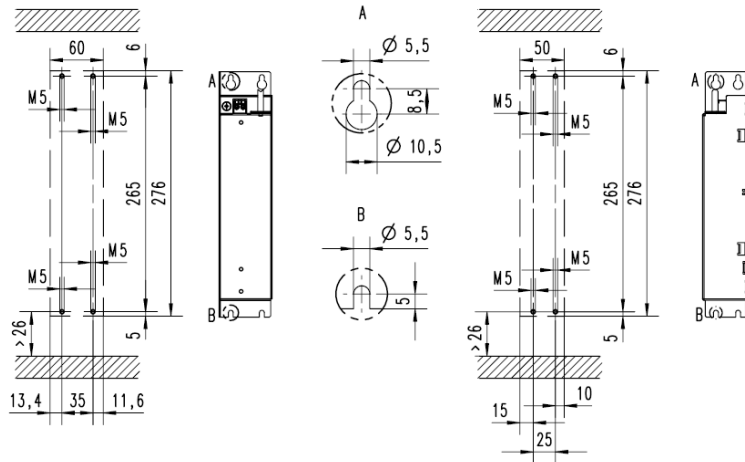
I0FAExxxF100LxxxxS: 1~ RFI Filter



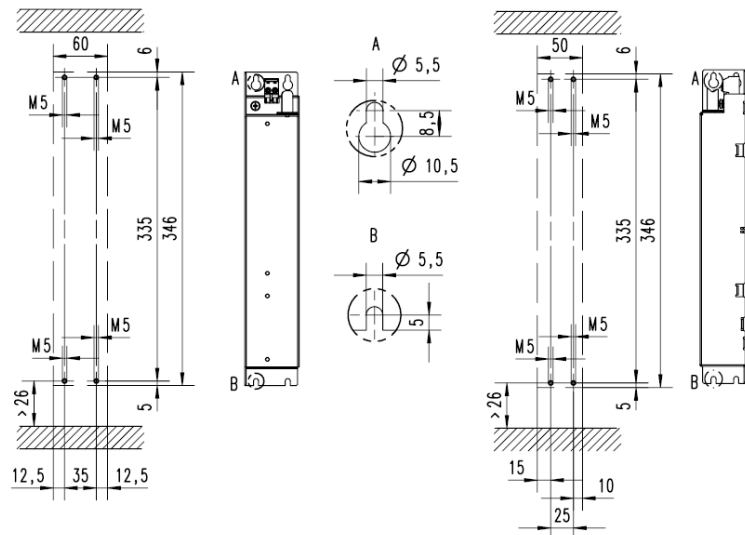
Montagedaten							
Typ		...E175B...	...E222B...	...E175F...	...E222F...	...E255F...	...E311F...
Diagramm		2	3	2	3	4	5
Leitungsquerschnitt (Netz)	[mm ²] [AWG]	1.0 – 2.5 18 – 12	1.0 – 6.0 18 – 8	1.0 – 2.5 18 – 12		1.0 – 6.0 18 – 8	
Leitungsquerschnitt (PE)	[mm ²] [AWG]	1.0 – 6.0 18 – 10				1.0 – 10.0 18 – 8	
Anziehdrehmoment (Netz)	[Nm] [lb-in]	0.5 4.4	0.7 6.2	0.5 4.4		0.7 6.2	1.2 – 1.5 10.6-13.3
Anziehdrehmoment (PE)	[Nm] [lb-in]	3.0 26.6					
Befestigungsschrauben		Gewindedurchmesser: M5 Gewindelänge (ohne Kopf): 10mm/0.4in					

Aufbauskizze

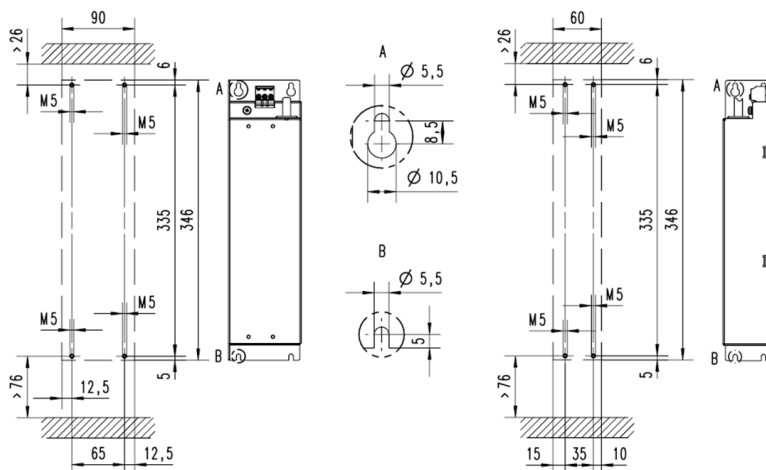
I0FAE175x100xxx (Diagramm 2)



I0FAE222x100xxx (Diagramm 3)

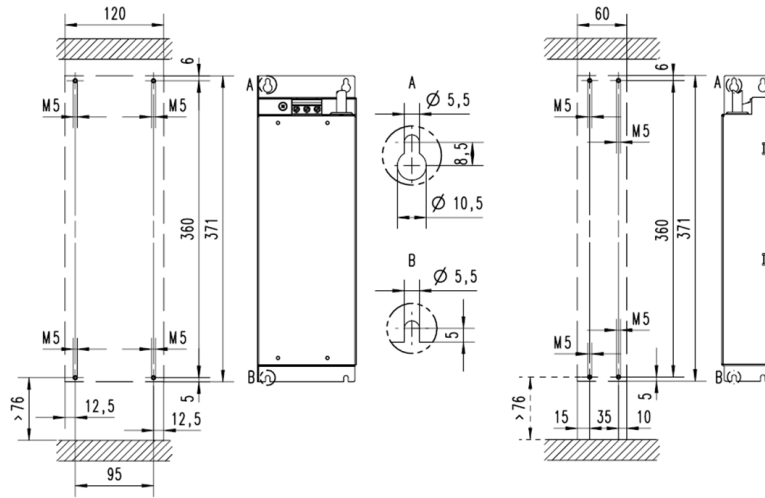


I0FAE255x100xxx (Diagramm 4)



Aufbauskizze

IOFAE311x100xxx (Diagramm 5)



Bemerkungen

Einzelheiten der Darstellung in der Aufbauskizze sind unverbindlich. Änderungen vorbehalten.

ACHTUNG!

Bei der Installation von einem Filter sind die IT-Schrauben am i500 Umrichter grundsätzlich nicht zu entfernen. Die Ausnahmen sind unten aufgeführt.

IOFAE175B100L0000S / IOFAE222B100L0000S

IT-Schraube

Beide Entfernen

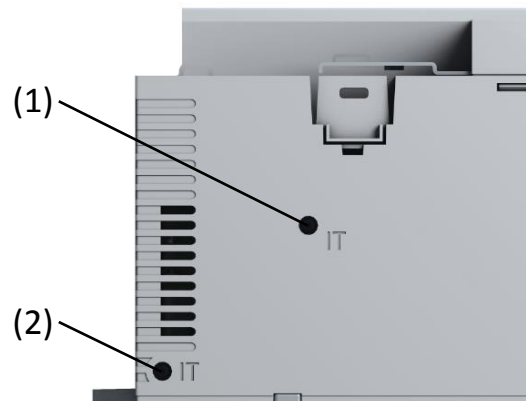
IOFAE255F100S0000S / IOFAE311F100S0000S

IT-Schraube (1)

--- / ---

IT-Schraube (2)

Entfernen





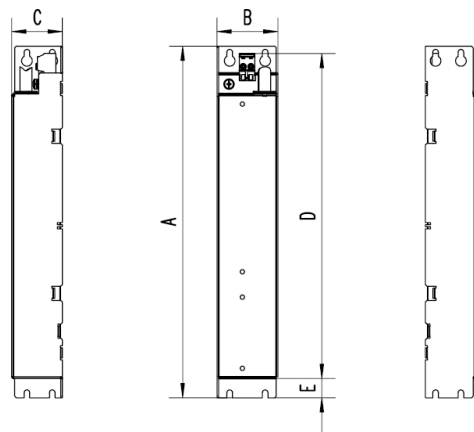
Identifikation				
RFI Filter	IOFAExxxx100Xxxxxx	Type of Filter	1~ RFI Filter	IOFAExxxB100XxxxxS
			3~ RFI Filter	IOFAExxxF100XxxxxS

Technical Data							
Type		...E175B...	...E222B...	...E175F...	...E222F...	...E255F...	...E311F...
No. of phase		1		3			
Rated voltage	[V]	240		400/480			
Rated current	[A]	10.00	22.50	3.30/2.75	7.80/6.50	18.00/15.00	29.00/24.16
Type		...100S...	...100D...	...100L...	...100S...	...100D...	...100S... ...100D...
Max. leakage current	[mA]	>3.5	≤3.5	>3.5			
Rated frequency	[Hz]	50 / 60					
High voltage test	[V-]	2700					

Mechanical Data								
Diagram No.		1						
Dimensions	A	[mm] [in]	276 10.9	346 13.6	276 10.9	346 13.6	346 13.6	371 14.6
	B	[mm] [in]	60 2.4			90 3.5		120 4.7
	C	[mm] [in]	50 2.0			60 2.4		
	D	[mm] [in]	225 8.9	320 12.6	225 8.9	296 11.7	320 12.6	325 12.8
	E	[mm] [in]	19 0.7					
Weight (net)	[kg]	1.0	1.4	0.9	1.1	2.2	2.5	

Operation conditions	
Protection index	IP 20 / NEMA Typ 1
Ambient temperature	+40°C / +104°F
Climatic category	3K3 [in accordance with EN 60721-3-3]
Standard	EN 60939-2
Vibration	SINUS: 2M2 [EN60721-3-2], EN61800-5-1

Safety instructions	
	High leakage current: Carry out fixed installation and PE connection in compliance with EN 61800-5-1 or EN 60204-1!
	Dangerous electrical voltage: Before working on the inverter, check whether all power connections are dead!

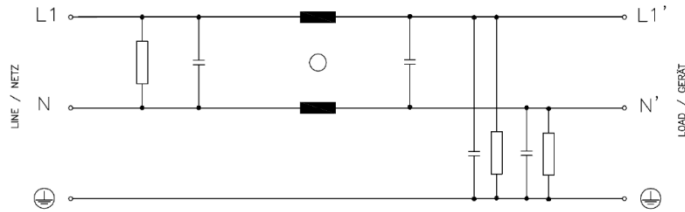


D: Dimension (to the clamp)

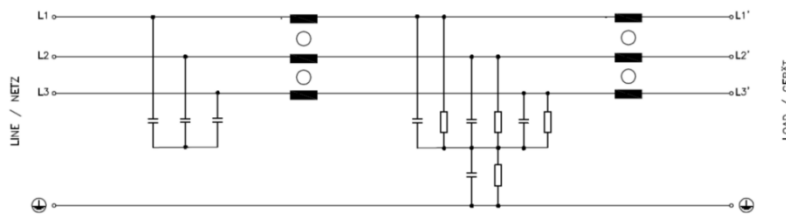
Diagram 1

Typical circuit diagram:

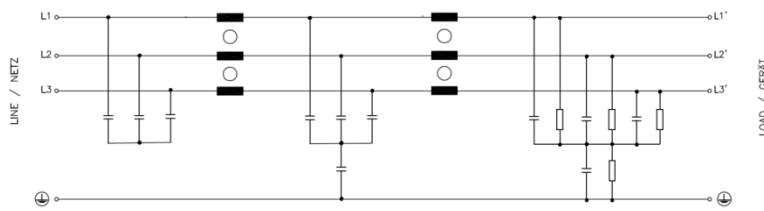
I0FAExxxB100SxxxxS / I0FAExxxB100DxxxxS: 1~ RFI Filter



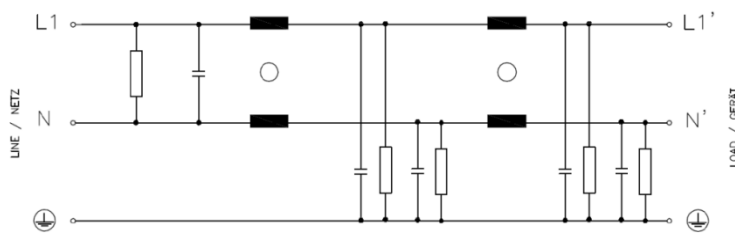
I0FAE175F100SxxxxS / I0FAE222F100SxxxxS / I0FAExxxF100DxxxxS: 3~ RFI Filter



I0FAE255F100SxxxxS / I0FAE311F100SxxxxS : 3~ RFI Filter



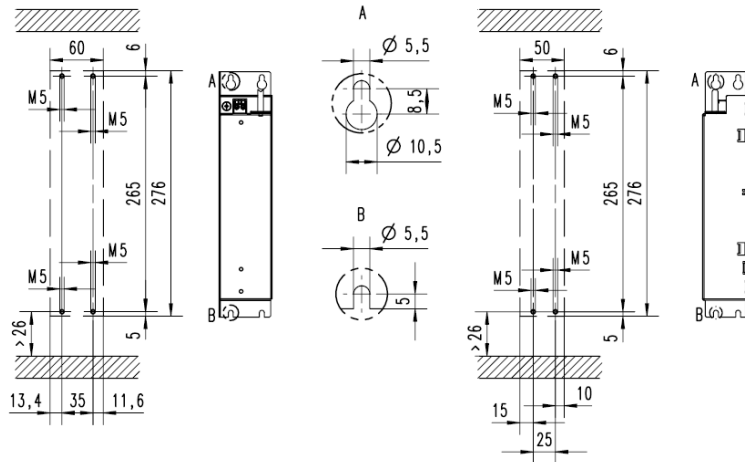
I0FAExxxF100LxxxxS: 1~ RFI Filter



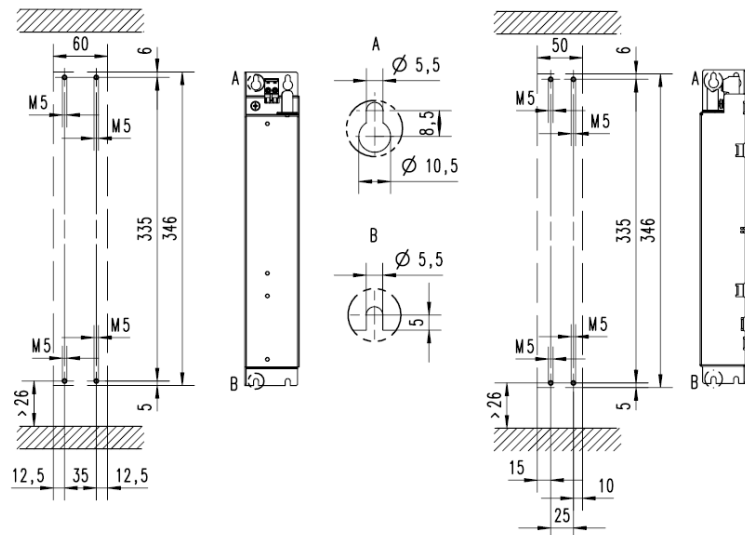
Mounting Data							
Type		...E175B...	...E222B...	...E175F...	...E222F...	...E255F...	...E311F...
Diagram No.		2	3	2	3	4	5
Cable cross-section (Line)	[mm ²] [AWG]	1.0 – 2.5 18 – 12	1.0 – 6.0 18 – 8	1.0 – 2.5 18 – 12		1.0 – 6.0 18 – 8	
Cable cross-section (PE)	[mm ²] [AWG]	1.0 – 6.0 18 – 10				1.0 – 10.0 18 – 8	
Tightening torque (Line)	[Nm] [lb-in]	0.5 4.4	0.7 6.2	0.5 4.4		0.7 6.2	1.2 – 1.5 10.6-13.3
Tightening torque (PE)	[Nm] [lb-in]	3.0 26.6					
Mounting screws		Thread diameter: M5 Thread length (without head): 10mm/0.4in					

Construction drawing

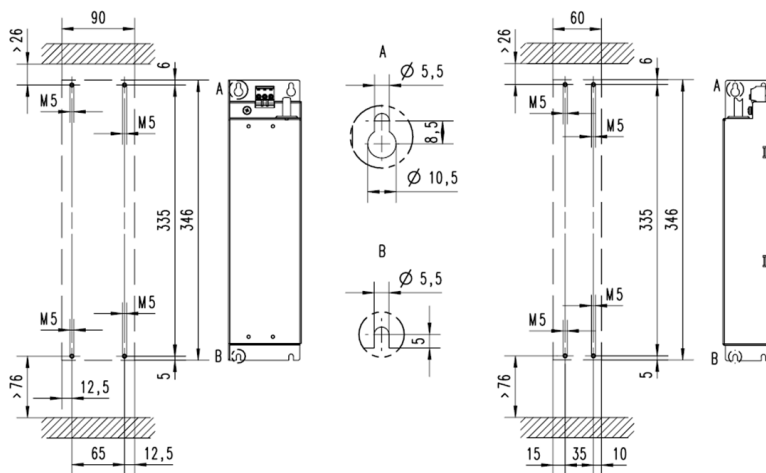
I0FAE175x100xxx (Diagram 2)



I0FAE222x100xxx (Diagram 3)

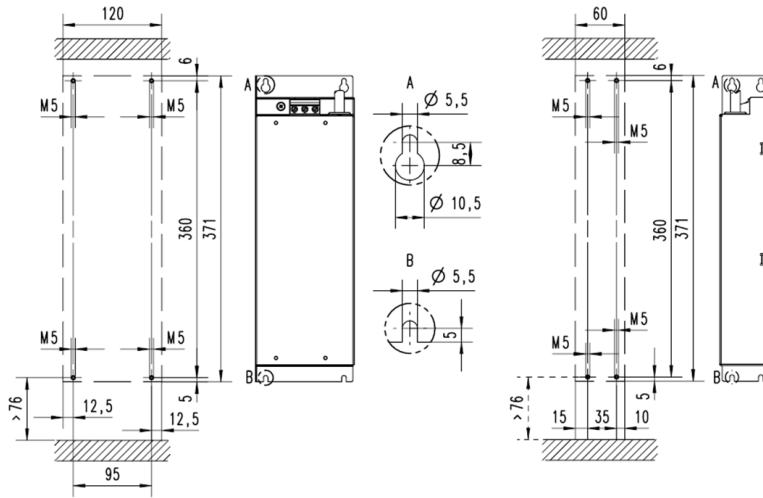


I0FAE255x100xxx (Diagram 4)



Construction drawing

IOFAE311x100xxx (Diagram 5)



Notes

Technical specifications are typical. Subject to change.

NOTICE!

In general the IT-Screws from the i500 inverter are not to be removed, when installed with a filter. Exceptions are listed below.

IOFAE175B100L0000S / IOFAE222B100L0000S

IT-Screws

Remove Both

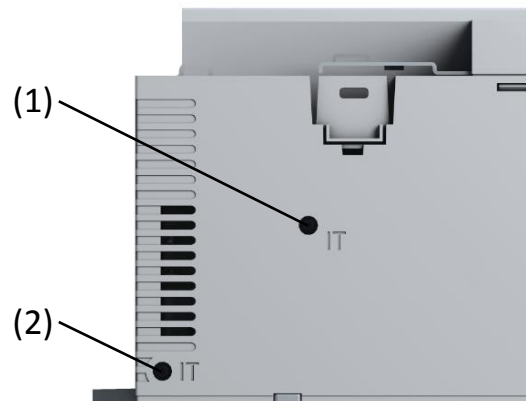
IOFAE255F100S0000S / IOFAE311F100S0000S

IT-Screw (1)

--- / ---

IT-Screw (2)

Remove





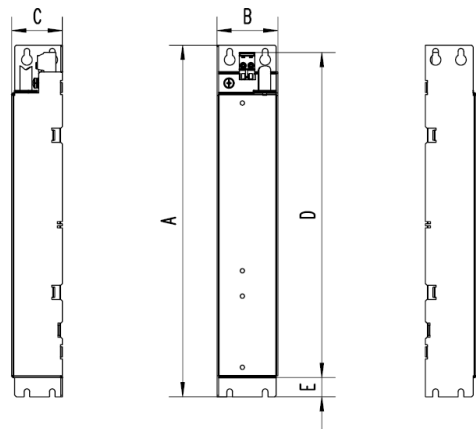
Numéro d'identification				
Filtre RFI	I0FAExxxx100Xxxxxx	Type de filtre	Filtre RFI 1~	I0FAExxxB100XxxxxS
			Filtre RFI 3~	I0FAExxxF100XxxxxS

Caractéristiques techniques							
Type		...E175B...	...E222B...	...E175F...	...E222F...	...E255F...	...E311F...
Nombre de phases		1		3			
Tension assignée	[V]	240		400/480			
Courant assigné	[A]	10.00	22.50	3.30/2.75	7.80/6.50	18.00/15.00	29.00/24.16
Type		...100S...	...100D...	...100L...	...100S...	...100D...	...100S... ...100D...
Courant de fuite	[mA]	>3.5	≤3.5	>3.5			
Fréquence assignée	[Hz]	50 / 60					
Tension d'essai	[V-]	2700					

Caractéristiques mécaniques								
Schéma		1						
Cotes	A	[mm] [in]	276 10.9	346 13.6	276 10.9	346 13.6	346 13.6	371 14.6
	B	[mm] [in]	60 2.4			90 3.5		120 4.7
	C	[mm] [in]	50 2.0			60 2.4		
	D	[mm] [in]	225 8.9	320 12.6	225 8.9	296 11.7	320 12.6	325 12.8
	E	[mm] [in]	19 0.7					
Poids (net)	[kg]	1.0	1.4	0.9	1.1	2.2	2.5	

Conditions d'utilisation	
Indice de protection	IP 20 / NEMA Type 1
Température ambiante	+40°C / +104°F
Classification climatique	3K3 [en conformité avec la norme EN 60721-3-3]
Norme	EN 60939-2
Vibrations	SINUS: 2M2 [EN60721-3-2], EN61800-5-1

Consignes de sécurité	
	Courant de fuite élevé : Procéder à une installation fixe et au raccordement PE conformément à la norme EN 61800-5-1 ou EN 60204-1 !
	Tension électrique dangereuse : Avant de procéder aux travaux sur le variateur, s'assurer que toutes les bornes de puissance sont hors tension !



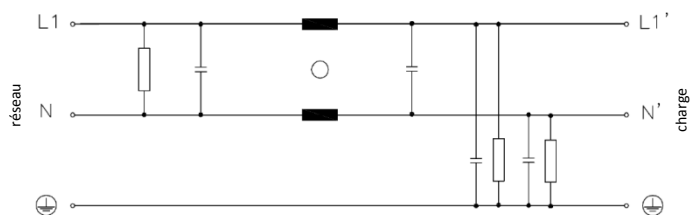
D : cote jusqu'au bornier

Schéma 1

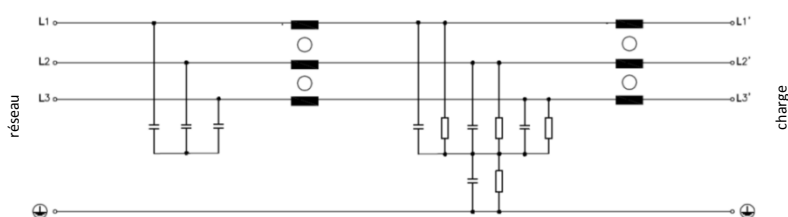
Benennung/ Name of drawing/ Nom du plan: MA Filter I0FAExxx	Datei/ File/ Fichier: 2345021_MA_RFI_Filter_I0FAExxx_06.docx
Zeichnungsnummer/ Drawing no./ Numéro de plan: 2345021 - 06	Page 9/12

Schéma de principe

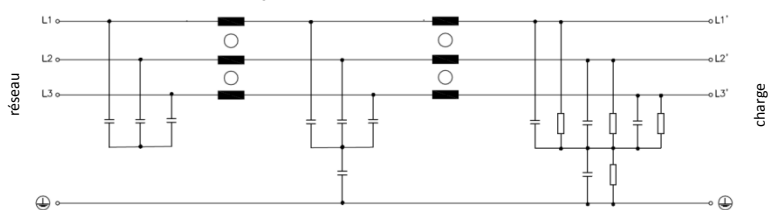
I0FAExxxB100SxxxxS / I0FAExxxB100DxxxxS : Filtre RFI 1~



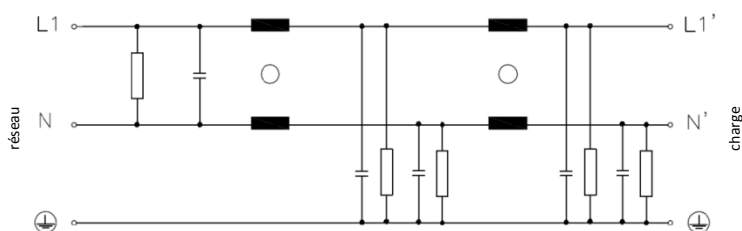
I0FAE175F100SxxxxS / I0FAE222F100SxxxxS / I0FAExxxF100DxxxxS : Filtre RFI 3~



I0FAE255F100SxxxxS / I0FAE311F100SxxxxS : Filtre RFI 3~



I0FAExxxF100LxxxxS : Filtre RFI 1~

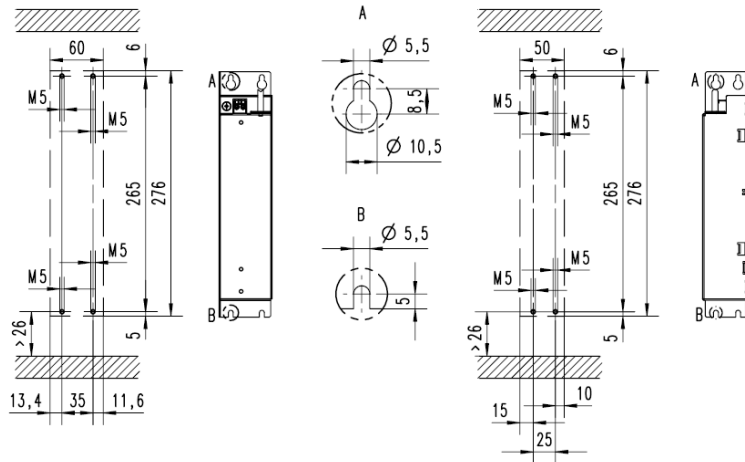


Caractéristiques de montage

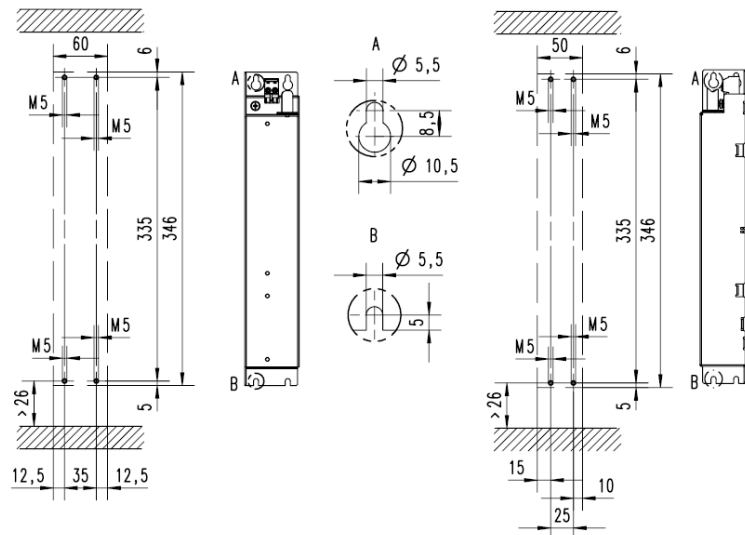
Type		...E175B...	...E222B...	...E175F...	...E222F...	...E255F...	...E311F...
Schéma		2	3	2	3	4	5
Section de câble (réseau)	[mm ²] [AWG]	1.0 – 2.5 18 – 12	1.0 – 6.0 18 – 8	1.0 – 2.5 18 – 12		1.0 – 6.0 18 – 8	
Section de câble (PE)	[mm ²] [AWG]		1.0 – 6.0 18 – 10			1.0 – 10.0 18 – 8	
Couple de serrage (réseau)	[Nm] [lb-in]	0.5 4.4	0.7 6.2	0.5 4.4		0.7 6.2	1.2 – 1.5 10.6-13.3
Couple de serrage (PE)	[Nm] [lb-in]			3.0 26.6			
Vis de fixation		Diamètre de filetage : M5 Longueur de filetage (sans tête) : 10mm/0.4in					

Schéma de montage

IOFAE175x100xxx (schéma 2)



IOFAE222x100xxx (schéma 3)



IOFAE255x100xxx (schéma 4)

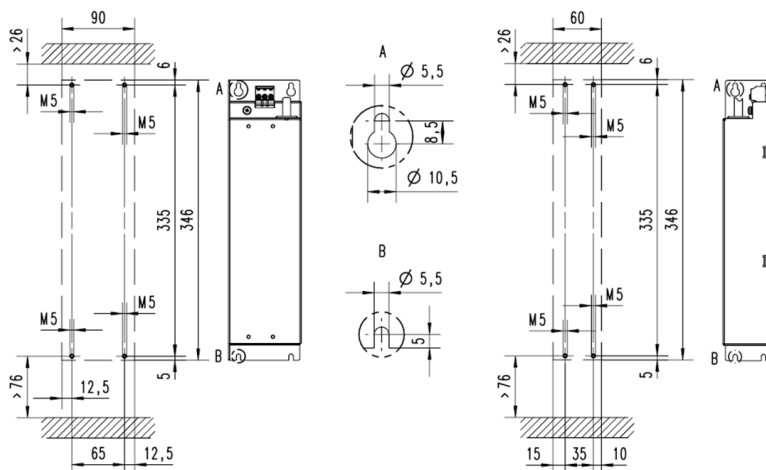
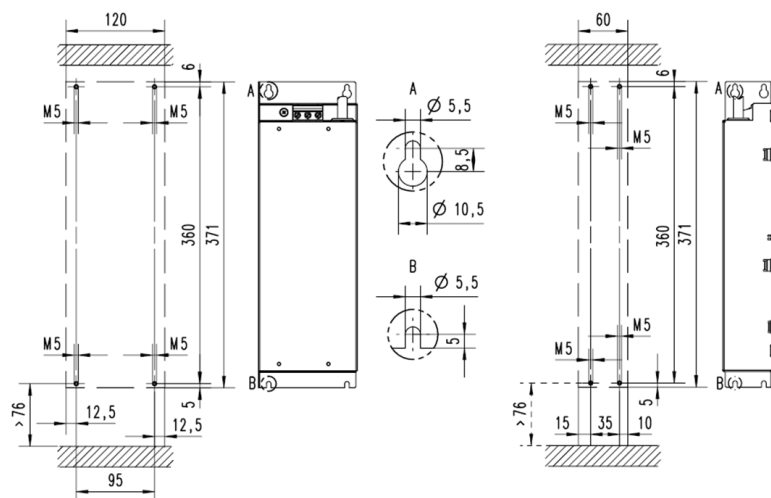


Schéma de montage

IOFAE311x100xxx (schéma 5)



Remarque

Les détails de la représentation dans le schéma de montage sont à titre indicatif. Sous réserve de modifications.

ATTENTION !

En général, lorsque vous installez un filtre, les vis IT du variateur i500 ne doivent pas être enlevées. Les exceptions sont mentionnées ci-dessous.

IOFAE175B100L0000S / IOFAE222B100L0000S

Vis IT

Retirer les deux vis

IOFAE255F100S0000S / IOFAE311F100S0000S

Vis IT (1)

--- / ---

Vis IT (2)

Retirer

