

| Typennummer | | | | |
|-------------|--------------------|------------|---------------|--------------------|
| RFI Filter | I0FAE3xxF100XxxxXS | Filter Typ | 3~ RFI Filter | I0FAE3xxF100XxxxXS |

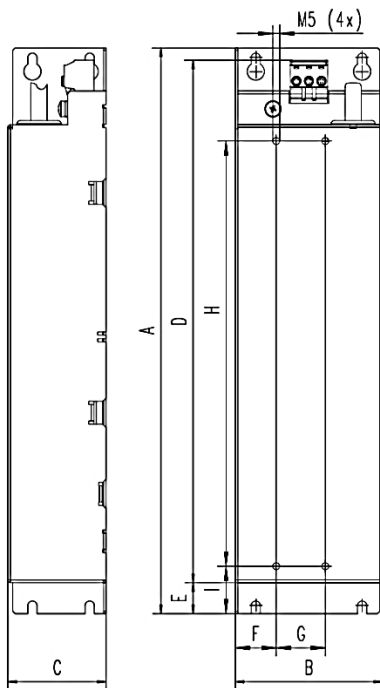
| Technische Daten | | | | | | |
|--------------------|------|--------------|------------|-------------|--------------|--------------|
| Typ | | ...E311F... | | ...E318F... | ...E322F... | |
| | | ...100D... | ...100S... | ...100D... | ...100D0000S | ...100D0001S |
| Bemessungsstrom | [A] | 29.00 / 22.6 | | 50.4/44.00 | 43.00/35.85 | 55.00/46.00 |
| Ableitstrom | [mA] | >3.5 | | | | |
| Phasenzahl | | 3 | | | | |
| Bemessungsspannung | [V] | 400 / 480 | | | | |
| Bemessungsfrequenz | [Hz] | 50 / 60 | | | | |
| Prüfspannung | [V-] | 2700 | | | | |

| Mechanische Daten | | | | | |
|-------------------|--------|------|------|--|--|
| Diagramm | | 1 | 2 | | |
| Abmessungen | A [mm] | 371 | 436 | | |
| | B [mm] | 120 | 202 | | |
| | C [mm] | 60 | 90 | | |
| | D [mm] | 325 | 392 | | |
| | E [mm] | 19 | 36 | | |
| | F [mm] | 25 | 12.5 | | |
| | G [mm] | 60 | 180 | | |
| | H [mm] | 285 | 340 | | |
| | I [mm] | 29 | 46.5 | | |
| Gewicht (netto) | [kg] | 2.50 | 7.1 | | |

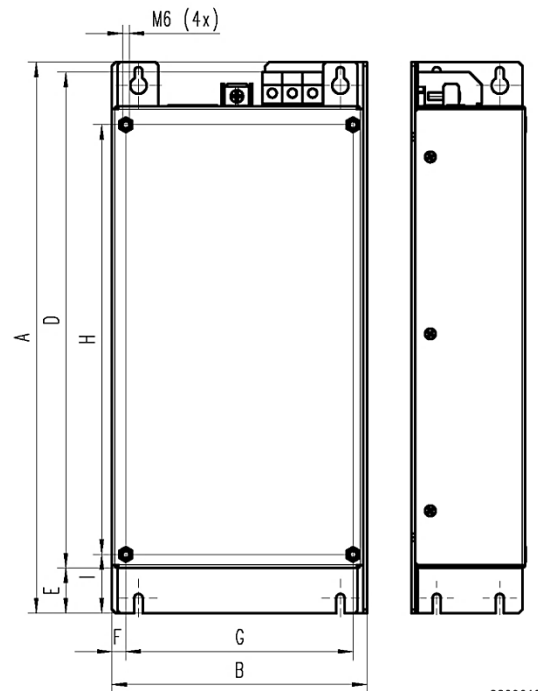
D: Abmessung bis zur Klemme

Diagramm 1

Diagramm 2



8800364



8800618

| | | |
|--|--|------------|
| Benennung/ Name of drawing/ Nom du plan: I0FAE3xxF100XxxxS | | |
| Zeichnungsnummer/ Drawing no./ Numéro de plan: 2396934-01 | Datei/ File/ Fichier: 2396934_00_MA_Filter_I0FAE3xxx.docx | Seite 1/12 |

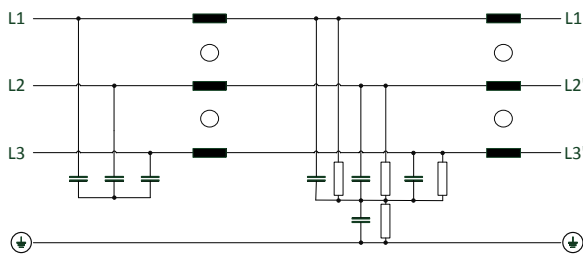


| |
|---|
| Umweltbedingungen |
| Schutzart IP 20 / NEMA Typ 1 |
| Angaben und Deratings gemäss Umrichterspezifikation |

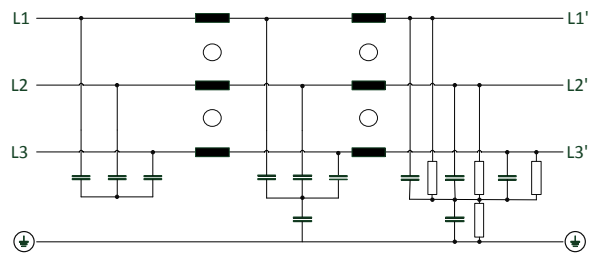
| | |
|----------------------------|--|
| Sicherheitshinweise | |
| | Hoher Ableitstrom: Festinstallation und PE-Anschluss nach EN 61800-5-1 oder EN 60204-1 ausführen! |
| | Gefährliche elektrische Spannung: Vor Arbeiten am Gerät überprüfen, ob alle Leistungsanschlüsse spannungslos sind! |

Prinzipschaltbild

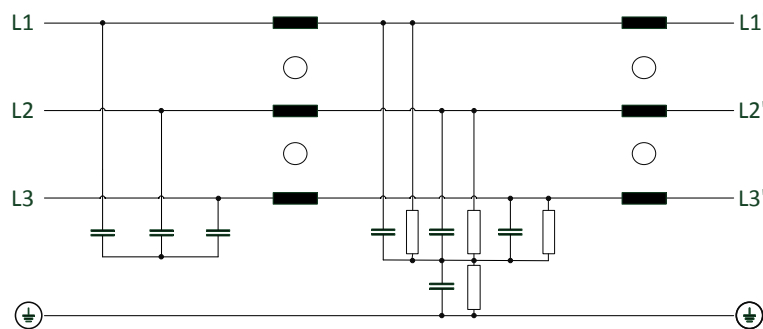
IOFAE311F100DxxxxS: 3~ RFI Filter



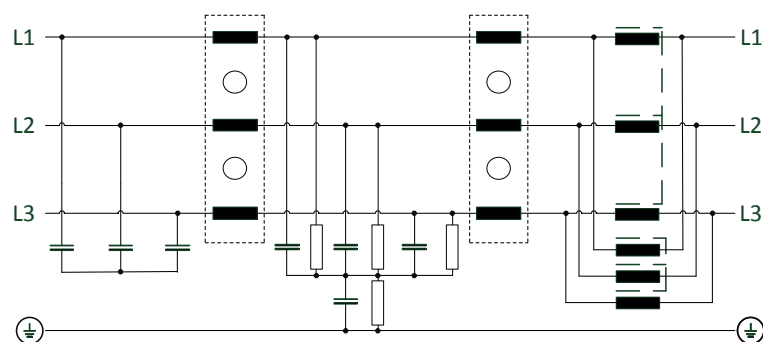
IOFAE311F100SxxxxS: 3~ RFI Filter



IOFAE318F100DxxxxS: 3~ RFI Filter



IOFAE322F100DxxxxS: 3~ RFI Filter



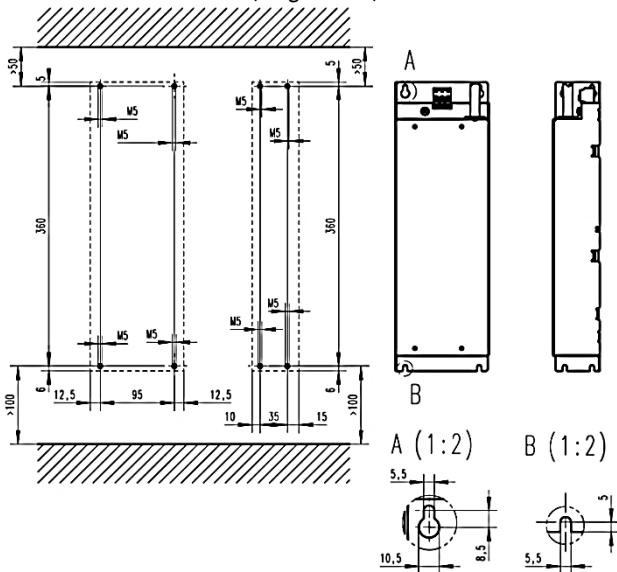
| | | |
|--|--|------------|
| Benennung/ Name of drawing/ Nom du plan: IOFAE3xxF100XxxxxS | | |
| Zeichnungsnummer/ Drawing no./ Numéro de plan: 2396934-01 | Datei/ File/ Fichier: 2396934_00_MA_Filter_IOFAE3xxx.docx | Seite 2/12 |



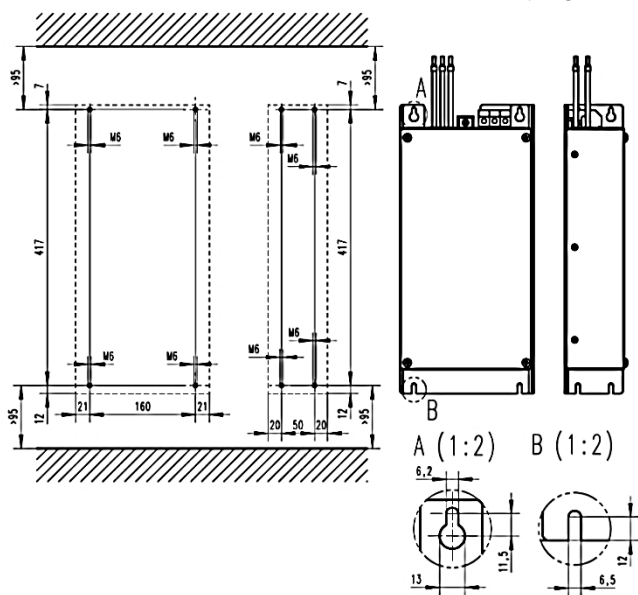
| Montagedaten | | | | |
|----------------------------|--------------------|-------------|-------------|-------------|
| Typ | | ...E311F... | ...E318F... | ...E322F... |
| Diagramm | | 3 | | 4 |
| Leitungsquerschnitt (Netz) | [mm ²] | 1.0 – 6.0 | | 2.5-35 |
| Leitungsquerschnitt (PE) | [mm ²] | 1.0 – 10.0 | | 2.5-25 |
| Anziehdrehmoment (Netz) | [Nm] | 1.2 – 1.5 | | 2.0-5.0 |
| Anziehdrehmoment (PE) | [Nm] | 3.0 | | 4.0 |
| Befestigung Umrichter: | | | | |
| Gewindedurchmesser | | M5 | | M6 |
| Gewindelänge (ohne Kopf) | [mm] | 10 | | 16 |
| Anziehdrehmoment | [Nm] | 3.4 | | 4 |

Aufbauskizze

IOFAE311F100XxxxxS (Diagramm 2)



IOFAE318F100DxxxxS / IOFAE322F100DxxxxS (Diagramm 3) ⁸⁸⁰⁰⁶⁰⁵



Alle Größen in mm. Einzelheiten der Darstellung in der Aufbauskizze sind unverbindlich. Änderungen vorbehalten ⁸⁸⁰⁰⁶⁰⁶

| | | |
|--|--|------------|
| Benennung/ Name of drawing/ Nom du plan: IOFAE3xxF100XxxxxS | | |
| Zeichnungsnummer/ Drawing no./ Numéro de plan: 2396934-01 | Datei/ File/ Fichier: 2396934_00_MA_Filter_IOFAE3xxx.docx | Seite 3/12 |

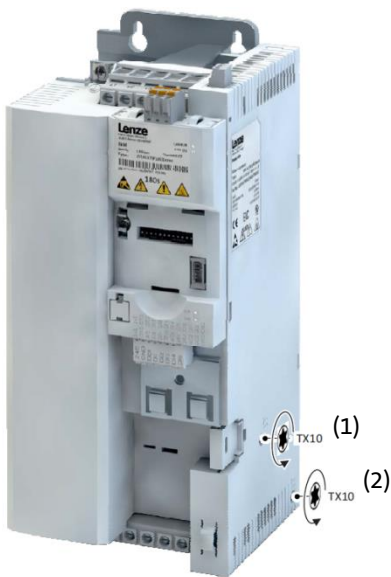


ACHTUNG!

Bei der Installation von einem Filter sind die IT-Schrauben am i500 Umrichter grundsätzlich nicht zu entfernen. Die Ausnahmen sind unten aufgeführt.

I0FAE3xxF100SxxxxS

Lediglich IT-Schraube (2) entfernen



Lenze Drives GmbH
Postfach 10 13 52, D-31763 Hameln
Breslauer Strasse 3, D-32699 Extertal
Germany
HR Lemgo B 6478
+49 5154 82-0
+49 5154 82-2800
sales.de@lenze.com
www.lenze.com

Lenze Service GmbH
Breslauer Strasse 3, D-32699 Extertal
Germany

0080002446877 (24 h Helpline)
+49 5154 82-1112
service.de@lenze.com

Benennung/ Name of drawing/ Nom du plan: I0FAE3xxF100XxxxxS

Zeichnungsnummer/ Drawing no./ Numéro de plan:
2396934-01

Datei/ File/ Fichier:
2396934_00_MA_Filter_I0FAE3xxx.docx

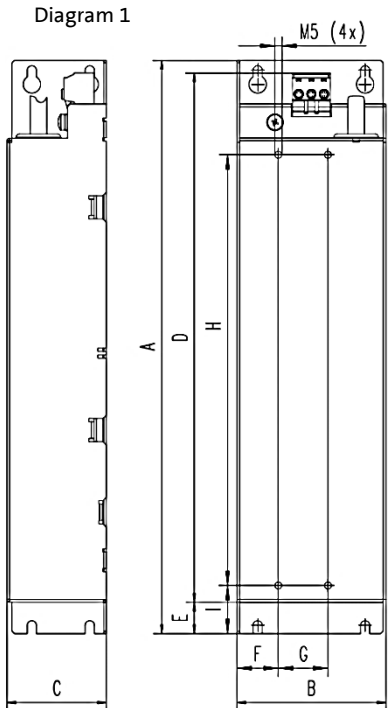
Seite 4/12

| Identification | | | | |
|----------------|--------------------|----------------|---------------|--------------------|
| RFI Filter | I0FAE3xxF100XxxxxS | Type of Filter | 3~ RFI Filter | I0FAE3xxF100XxxxxS |

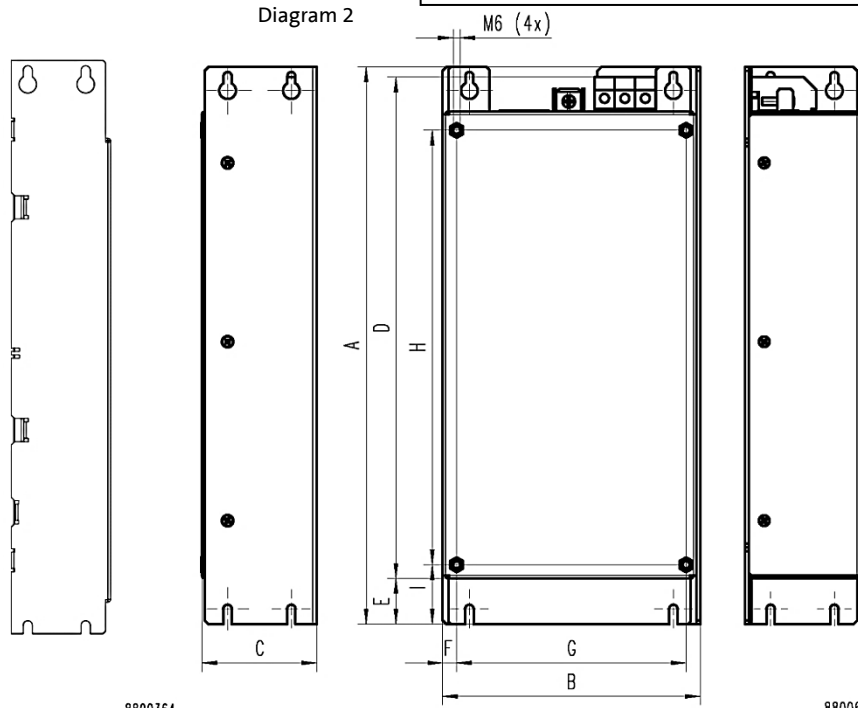
| Technical Data | | | | | |
|----------------------|-------------|---------------|-------------|--------------|--------------|
| Type | ...E311F... | | ...E318F... | ...E322F... | |
| | ...100D... | ...100S... | ...100D... | ...100D0000S | ...100D0001S |
| Rated current | [A] | 29.00 / 22.60 | | 50.4/44.00 | |
| Max. leakage current | [mA] | >3.5 | | | |
| No. of phase | | 3 | | | |
| Rated voltage | [V] | 400 / 480 | | | |
| Rated frequency | [Hz] | 50 / 60 | | | |
| High voltage test | [V-] | 2700 | | | |

| Mechanical Data | | | | |
|-----------------|---|------|--------|--------|
| Diagram No. | | | 1 | 2 |
| Dimensions | A | [in] | 14.6 | 17.165 |
| | B | [in] | 4.724 | 7.953 |
| | C | [in] | 2.36 | 3.54 |
| | D | [in] | 12.795 | 15.43 |
| | E | [in] | 0.748 | 1.417 |
| | F | [in] | 0.984 | 4.921 |
| | G | [in] | 2.362 | 6.30 |
| | H | [in] | 11.22 | 13.386 |
| | I | [in] | 1.14 | 18.307 |
| Weight (net) | | [kg] | 2.50 | 7.1 |

D: Dimension to the clamp





8800364



8800618

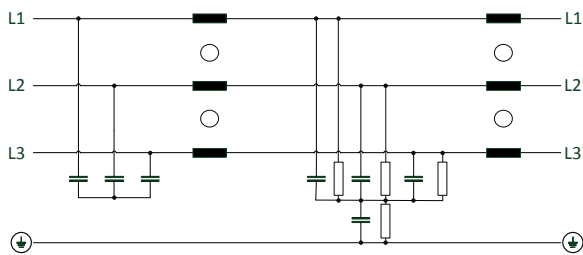
| | | |
|--|--|------------|
| Benennung/ Name of drawing/ Nom du plan: I0FAE3xxF100XxxxxS | | |
| Zeichnungsnummer/ Drawing no./ Numéro de plan: 2396934-01 | Datei/ File/ Fichier: 2396934_00_MA_Filter_I0FAE3xxx.docx | Seite 5/12 |

| |
|---|
| Operation conditions |
| Protection index IP 20 / NEMA Typ 1 |
| Information and deratings according to inverter specification |

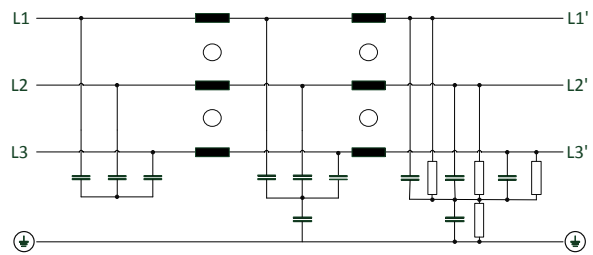
| | |
|---|---|
| Sicherheitshinweise | |
|  | High leakage current: Carry out fixed installation and PE connection in compliance with EN 61800-5-1 or EN 60204-1! |
|  | Dangerous electrical voltage: Before working on the device, check whether all power connections are dead! |

Typical circuit diagram

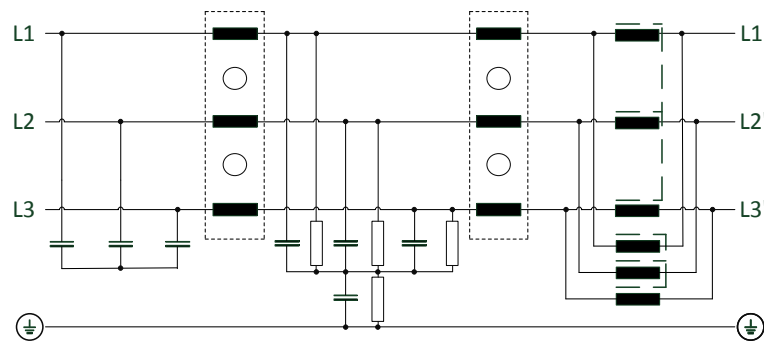
I0FAE311F100DxxxxS: 3~ RFI Filter



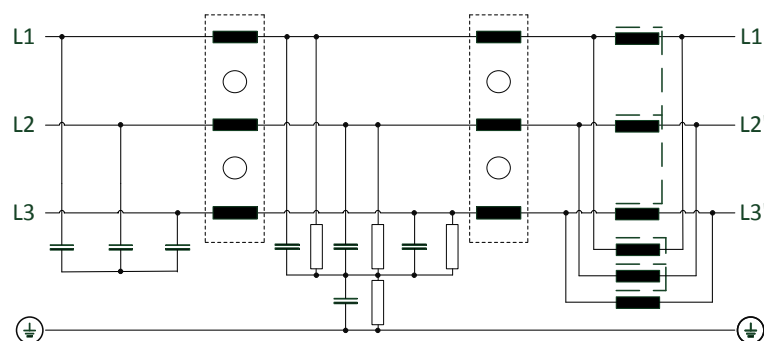
I0FAE311F100SxxxxS: 3~ RFI Filter



I0FAE318F100DxxxxS: 3~ RFI Filter



I0FAE322F100DxxxxS: 3~ RFI Filter



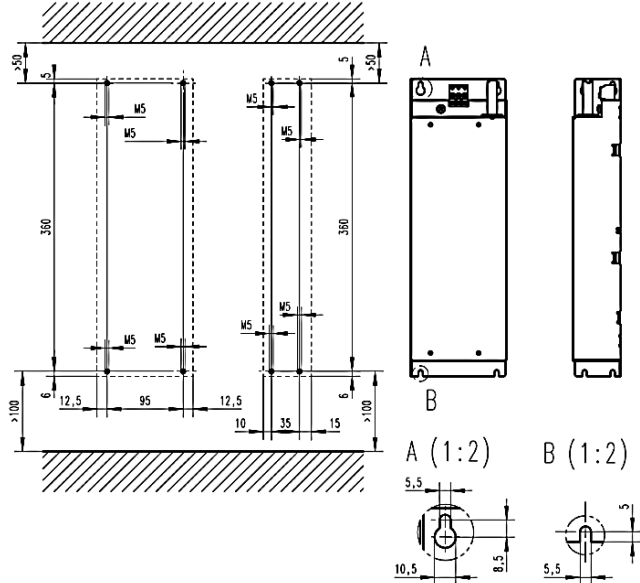
| | | |
|--|--|------------|
| Benennung/ Name of drawing/ Nom du plan: I0FAE3xxF100XxxxxS | | |
| Zeichnungsnummer/ Drawing no./ Numéro de plan: 2396934-01 | Datei/ File/ Fichier: 2396934_00_MA_Filter_I0FAE3xxx.docx | Seite 6/12 |



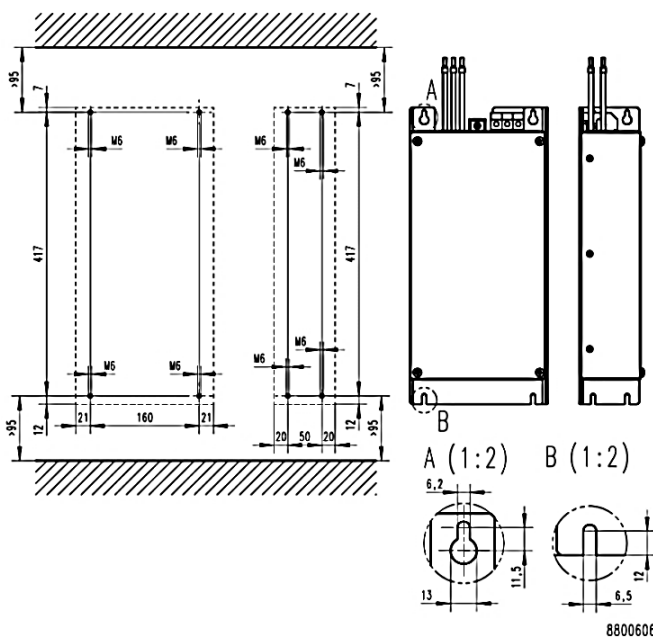
| Mounting Data | | | | |
|------------------------------|---------|-------------|-------------|-------------|
| Type | | ...E311F... | ...E318F... | ...E322F... |
| Diagram No. | | 3 | | 4 |
| Cable cross-section (Line) | [AWG] | 18 – 8 | | 14 – 2 |
| Cable cross-section (PE) | [AWG] | 18 – 8 | | 14 – 4 |
| Tightening torque (Line) | [lb-in] | 10.6 – 13.3 | | 22.1 – 44.3 |
| Tightening torque (PE) | [lb-in] | 26.6 | | 35.4 |
| Inverter mounting: | | | | |
| Thread diameter | | M5 | | M6 |
| Thread length (without head) | [in] | 0.4 | | 0.63 |
| Tightening torque | [lb-in] | 30 | | 35.4 |

Construction drawing

I0FAE311F100XxxxS (Diagram 3)



I0FAE318F100DxxxxS / I0FAE322F100DxxxxS (Diagram 4)



All sizes in mm. Technical specifications are typical. Subject to change.

| | | |
|--|--|------------|
| Benennung/ Name of drawing/ Nom du plan: I0FAE3xxF100XxxxxS | | |
| Zeichnungsnummer/ Drawing no./ Numéro de plan: 2396934-01 | Datei/ File/ Fichier: 2396934_00_MA_Filter_I0FAE3xxx.docx | Seite 7/12 |

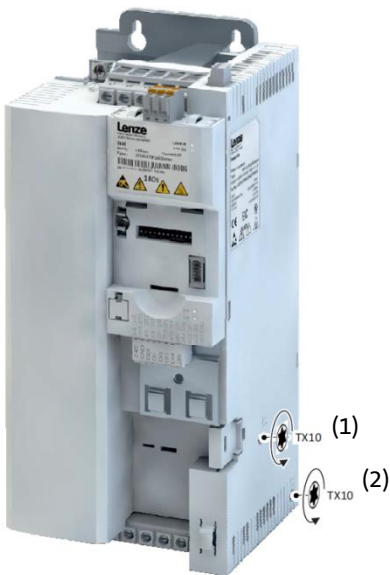


NOTICE!

In general the IT-Screws from the i500 inverter are not to be removed, when installed with a filter. Exceptions are listed below.

I0FAE3xxF100SxxxxS

Remove only IT Screw (2).



Lenze Drives GmbH
 Postfach 10 13 52, D-31763 Hameln
 Breslauer Strasse 3, D-32699 Extertal
 Germany
 HR Lemgo B 6478
 ☎ +49 5154 82-0
 ☎ +49 5154 82-2800
 ✉ sales.de@lenze.com
 🌐 www.lenze.com

Lenze Service GmbH
 Breslauer Strasse 3, D-32699 Extertal
 Germany

☎ 0080002446877 (24 h Helpline)
 ☎ +49 5154 82-1112
 ✉ service.de@lenze.com

Benennung/ Name of drawing/ Nom du plan: I0FAE3xxF100XxxxxS

Zeichnungsnummer/ Drawing no./ Numéro de plan:
 2396934-01

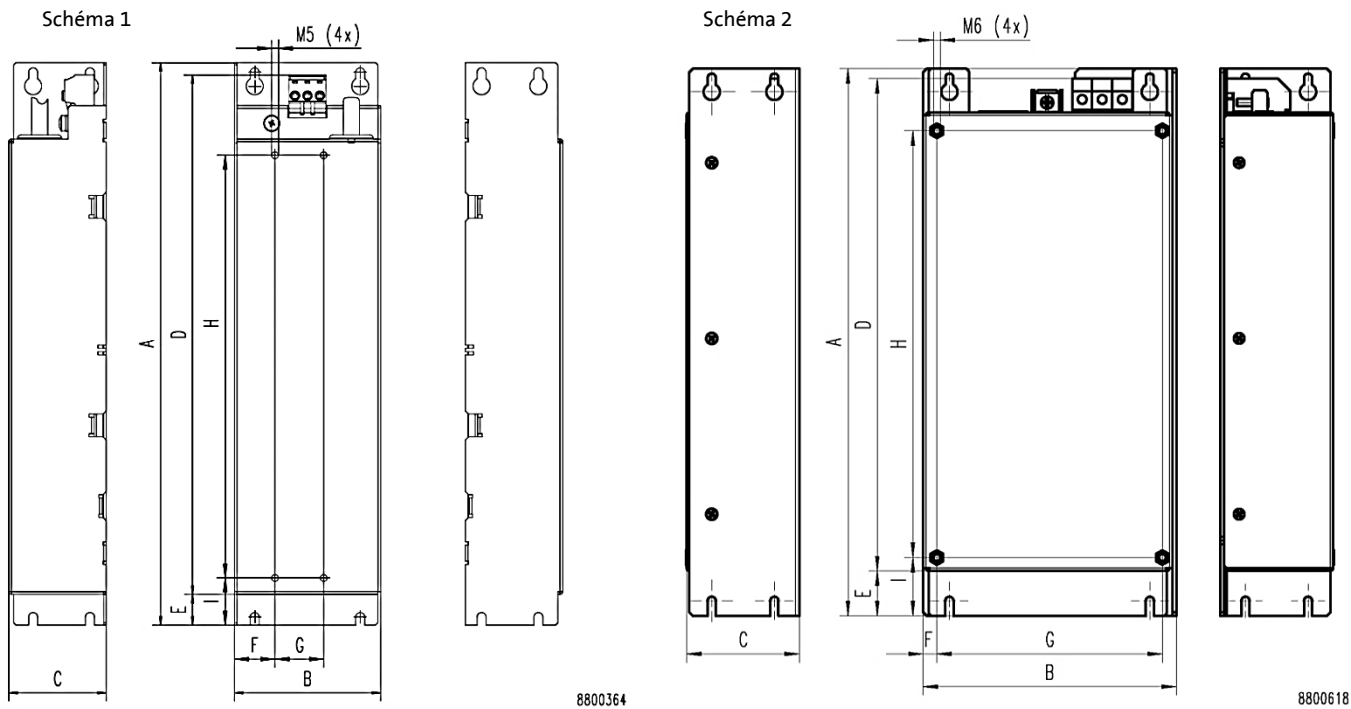
Datei/ File/ Fichier:
 2396934_00_MA_Filter_I0FAE3xxx.docx

Seite 8/12

| Numéro d'identification | | | | |
|-------------------------|--------------------|----------------|---------------|--------------------|
| Filtre RFI | I0FAE3xxF100XxxxxS | Type de filtre | 3~ Filtre RFI | I0FAE3xxF100XxxxxS |

| Caractéristiques techniques | | | | | | |
|-----------------------------|--------|--------------|------------|-------------|--------------|--------------|
| Type | | ...E311F... | | ...E318F... | ...E322F... | |
| | | ...100D... | ...100S... | ...100D... | ...100D0000S | ...100D0001S |
| Courant assigné | [A] | 29.00 / 22.6 | | 50.4/44.00 | 43.00/35.85 | 55.00/46.00 |
| Courant de fuite | [mA] | >3.5 | | | | |
| Nombre de phases | | 3 | | | | |
| Tension assignée | [V] | 400 / 480 | | | | |
| Fréquence assignée | [Hz] | 50 / 60 | | | | |
| Tension d'essai | [V-] | 2700 | | | | |
| Caractéristiques mécaniques | | | | | | |
| Schéma | | 1 | | 2 | | |
| Cotes | A [mm] | 371 | | 436 | | |
| | B [mm] | 120 | | 202 | | |
| | C [mm] | 60 | | 89 | | |
| | D [mm] | 325 | | 392 | | |
| | E [mm] | 19 | | 36 | | |
| | F [mm] | 25 | | 12.5 | | |
| | G [mm] | 60 | | 180 | | |
| | H [mm] | 285 | | 340 | | |
| | I [mm] | 29 | | 46.5 | | |
| Poids (net) | [kg] | 2.5 | | 7.1 | | |

D : cote jusqu'au bornier



8800364

8800618

| | | |
|--|--|------------|
| Benennung/ Name of drawing/ Nom du plan: I0FAE3xxF100XxxxxS | | |
| Zeichnungsnummer/ Drawing no./ Numéro de plan: 2396934-01 | Datei/ File/ Fichier: 2396934_00_MA_Filter_I0FAE3xxx.docx | Seite 9/12 |



| |
|---|
| Conditions d'utilisation |
| Indice de protection IP 20 / NEMA Typ 1 |
| Informations et diminution selon les spécifications de l'onduleur |



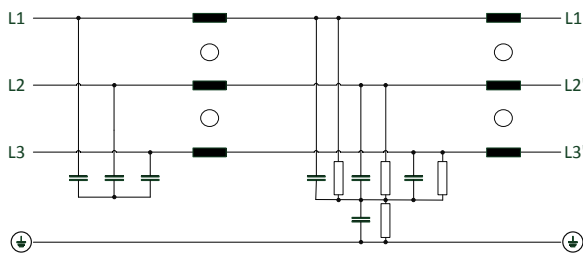
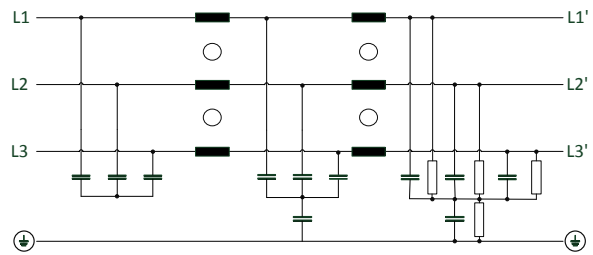
| |
|--|
| Consignes de sécurité |
|  Courant de fuite élevé : Procéder à une installation fixe et au raccordement PE conformément à la norme EN 61800-5-1 ou EN 60204-1 ! |
|  Tension électrique dangereuse : Avant de procéder aux travaux sur l'appareil, s'assurer que toutes les bornes de puissance sont hors tension ! |

Schéma de principe

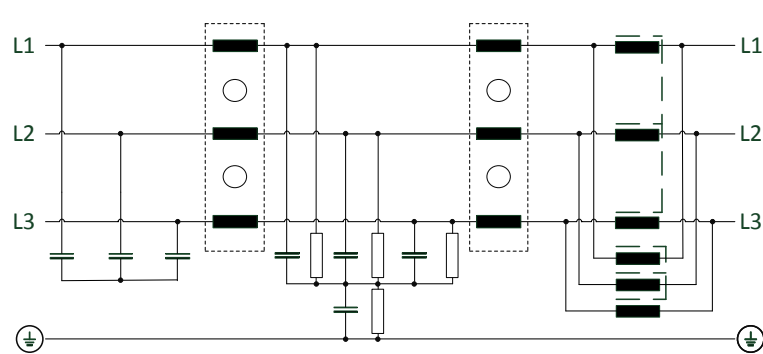
I0FAE311F100DxxxxS: 3~ Filtre RFI



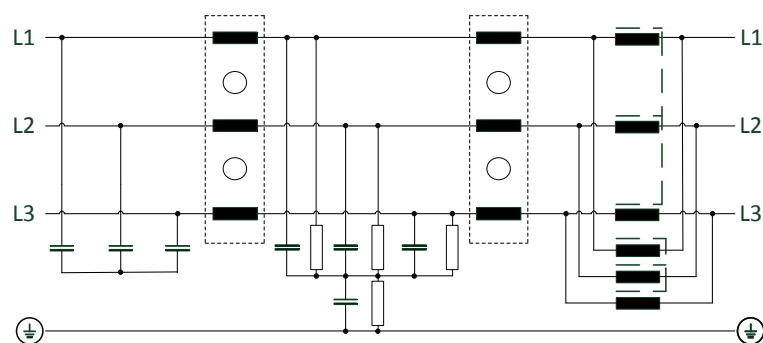
I0FAE311F100SxxxxS: 3~ Filtre RFI



I0FAE318F100DxxxxS: 3~ Filtre RFI



I0FAE322F100DxxxxS: 3~ RFI Filter



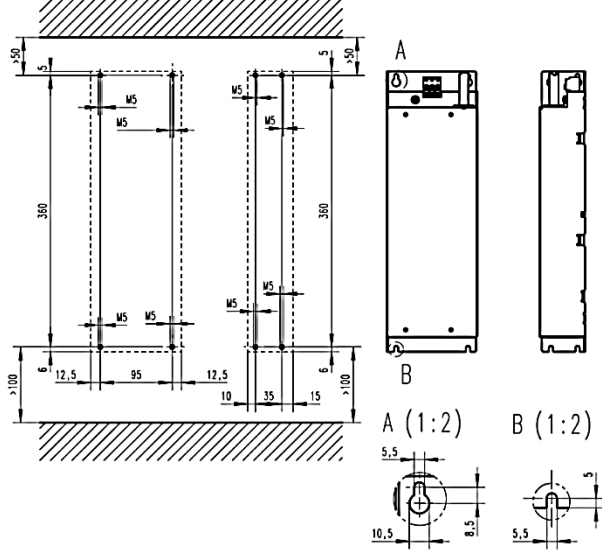
| | | |
|--|--|-------------|
| Benennung/ Name of drawing/ Nom du plan: I0FAE3xxF100XxxxxS | | |
| Zeichnungsnummer/ Drawing no./ Numéro de plan: 2396934-01 | Datei/ File/ Fichier: 2396934_00_MA_Filter_I0FAE3xxx.docx | Seite 10/12 |



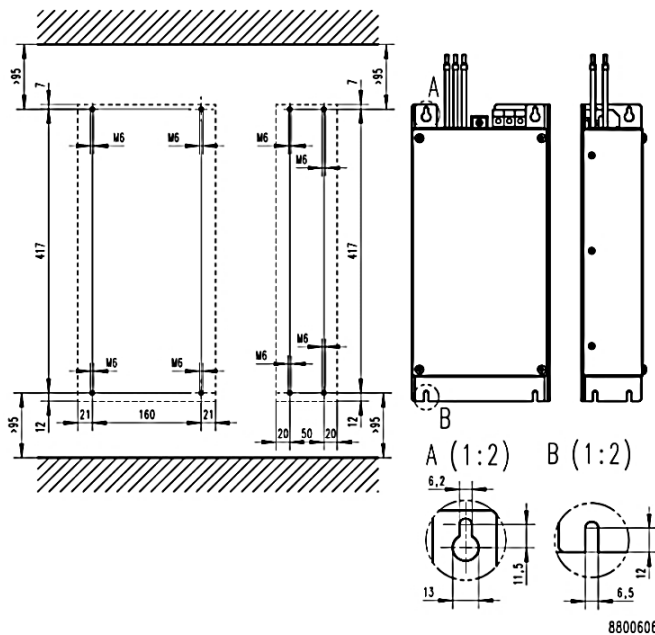
| Caractéristiques de montage | | | | |
|----------------------------------|--------------------|-------------|-------------|-------------|
| Type | | ...E311F... | ...E318F... | ...E322F... |
| Schéma | | 3 | | 4 |
| Section de câble (réseau) | [mm ²] | 1.0 – 6.0 | | 2.5-35 |
| Section de câble (PE) | [mm ²] | 1.0 – 10.0 | | 2.5-25 |
| Couple de serrage (réseau) | [Nm] | 1.2 – 1.5 | | 2.5-5.0 |
| Couple de serrage (PE) | [Nm] | 3.0 | | 4.0 |
| Fixation Variateur: | | | | |
| Diamètre de filetage | | M5 | | M6 |
| Longueur de filetage (sans tête) | [mm] | 10 | | 16 |
| Couple de serrage | [Nm] | 3.4 | | 4 |

Schéma de montage

IOFAE311F100XxxxxS (schéma 3)



IOFAE318F100DxxxxS / IOFAE322F100DxxxxS (schéma 4)



Toutes les tailles en mm. Les détails de la représentation dans le schéma de montage sont à titre indicatif. Sous réserve de modifications.

| | | |
|--|--|-------------|
| Benennung/ Name of drawing/ Nom du plan: IOFAE3xxF100XxxxxS | | |
| Zeichnungsnummer/ Drawing no./ Numéro de plan: 2396934-01 | Datei/ File/ Fichier: 2396934_00_MA_Filter_IOFAE3xxx.docx | Seite 11/12 |

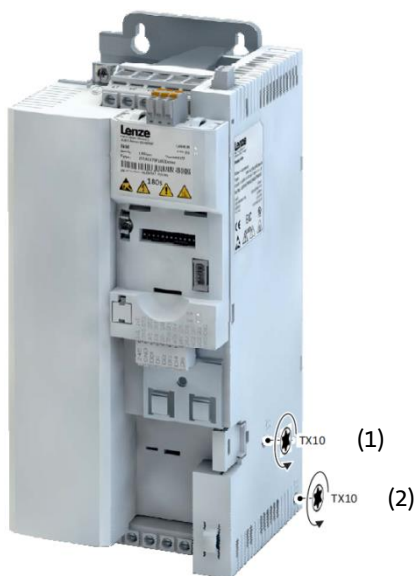


ATTENTION !

En général, lorsque vous installez un filtre, les vis IT du variateur i500 ne doivent pas être enlevées. Les exceptions sont mentionnées ci-dessous.

I0FAE3xxF100SxxxxS

Retirer seulement le Vis IT (2).



Lenze Drives GmbH
 Postfach 10 13 52, D-31763 Hameln
 Breslauer Strasse 3, D-32699 Extertal
 Germany
 HR Lemgo B 6478
 ☎ +49 5154 82-0
 ☎ +49 5154 82-2800
 @ sales.de@lenze.com
 Ⓜ www.lenze.com

Lenze Service GmbH
 Breslauer Strasse 3, D-32699 Extertal
 Germany

☎ 0080002446877 (24 h Helpline)
 ☎ +49 5154 82-1112
 @ service.de@lenze.com

Benennung/ Name of drawing/ Nom du plan: I0FAE3xxF100XxxxxS

Zeichnungsnummer/ Drawing no./ Numéro de plan:
 2396934-01

Datei/ File/ Fichier:
 2396934_00_MA_Filter_I0FAE3xxx.docx

Seite 12/12